

Qman

SUPER SOCCER

3002

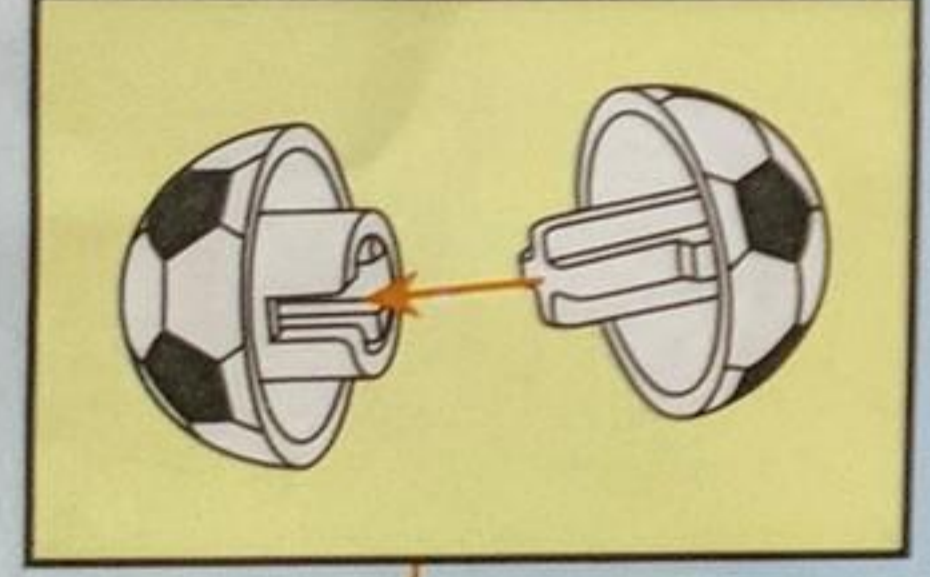
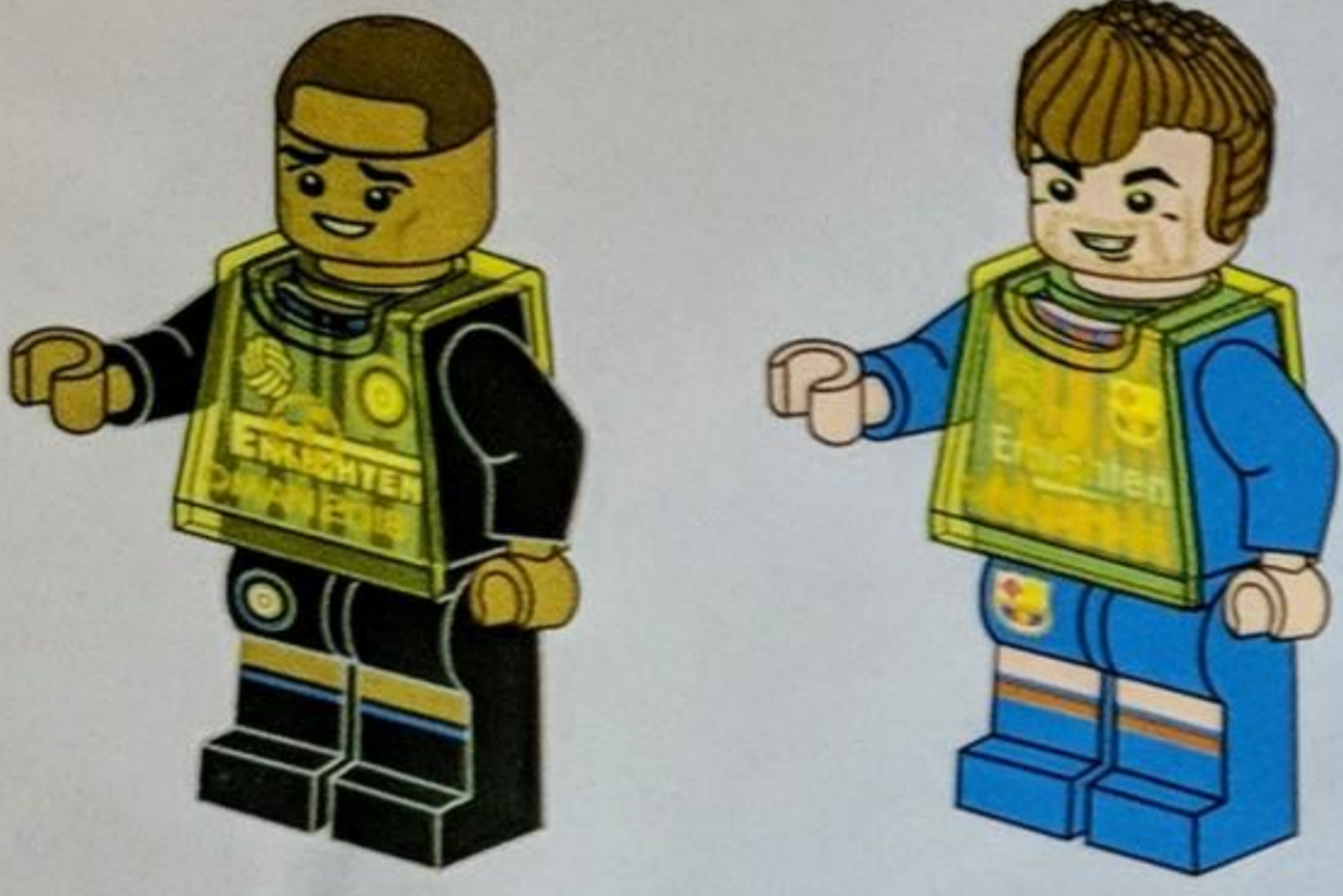
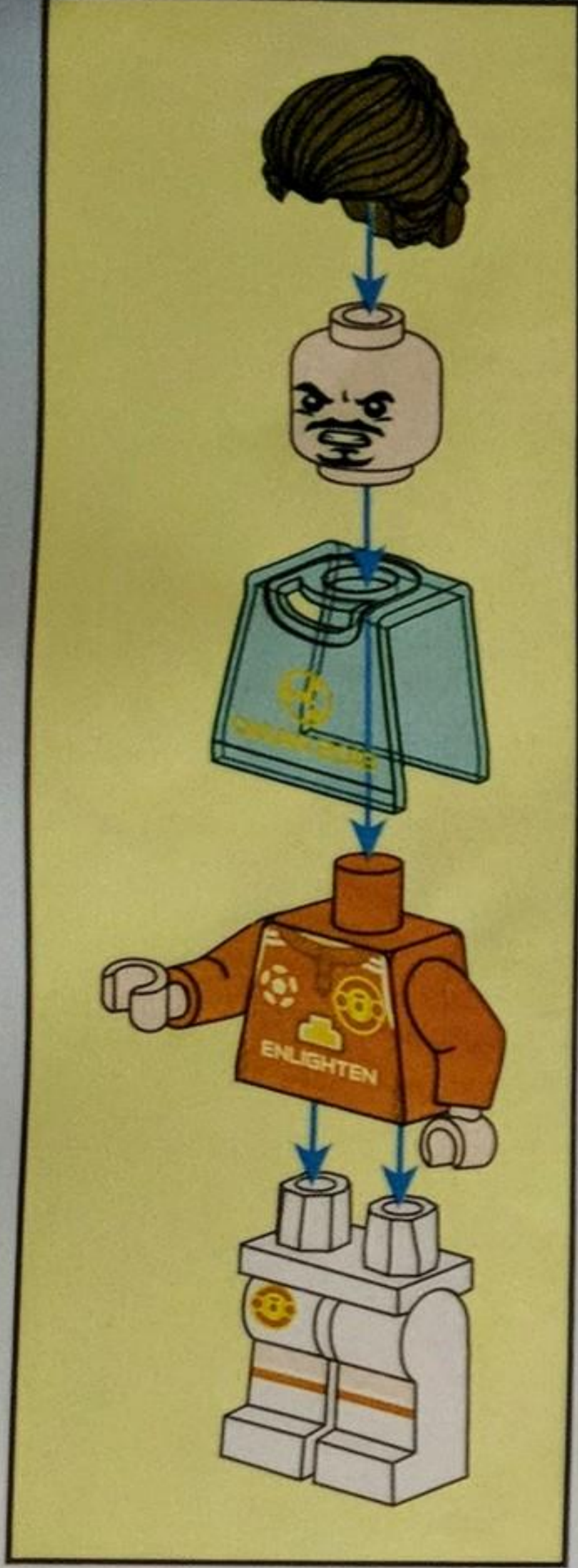
Ages: 6+

Minifigs: X4

PCS: 156

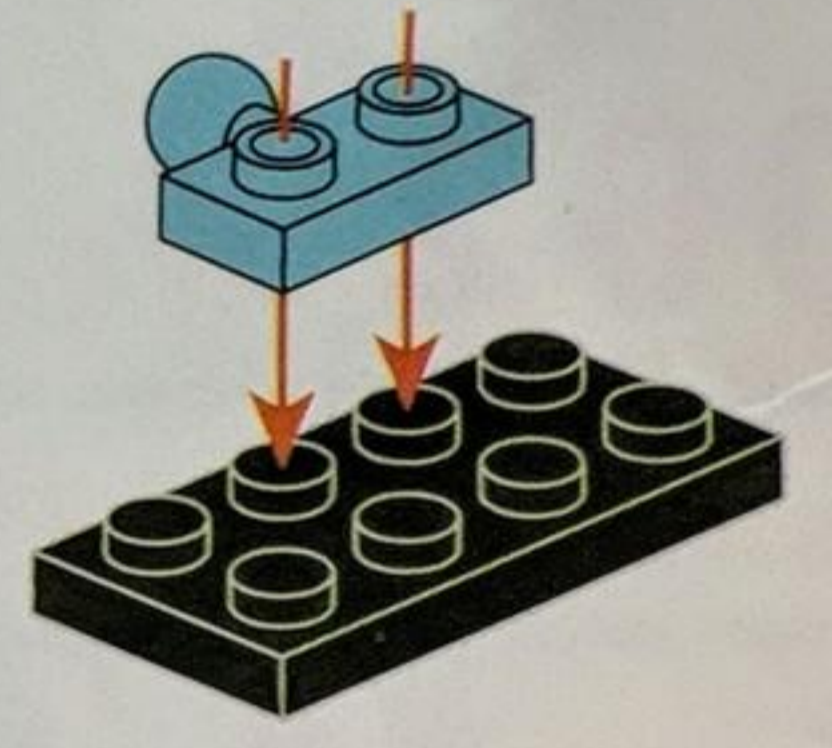


BREAK THROUGH



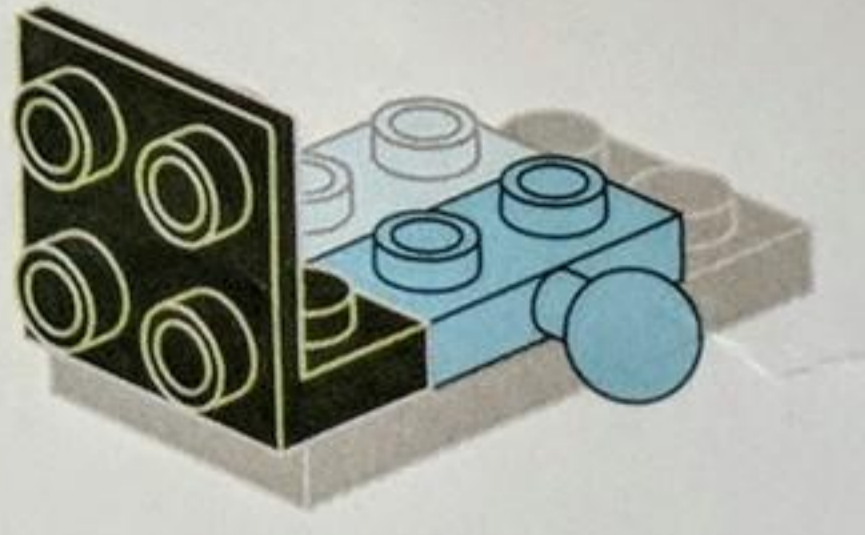
1

1x 1x

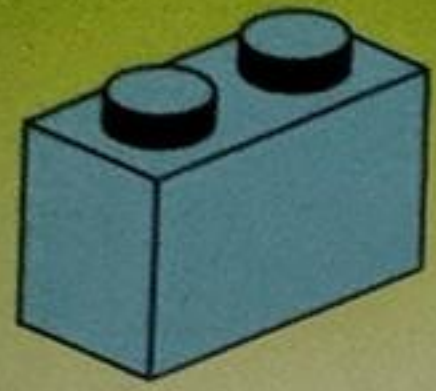


2

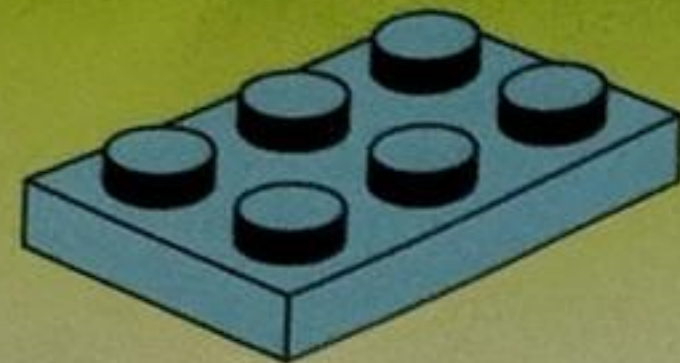
1x 1x



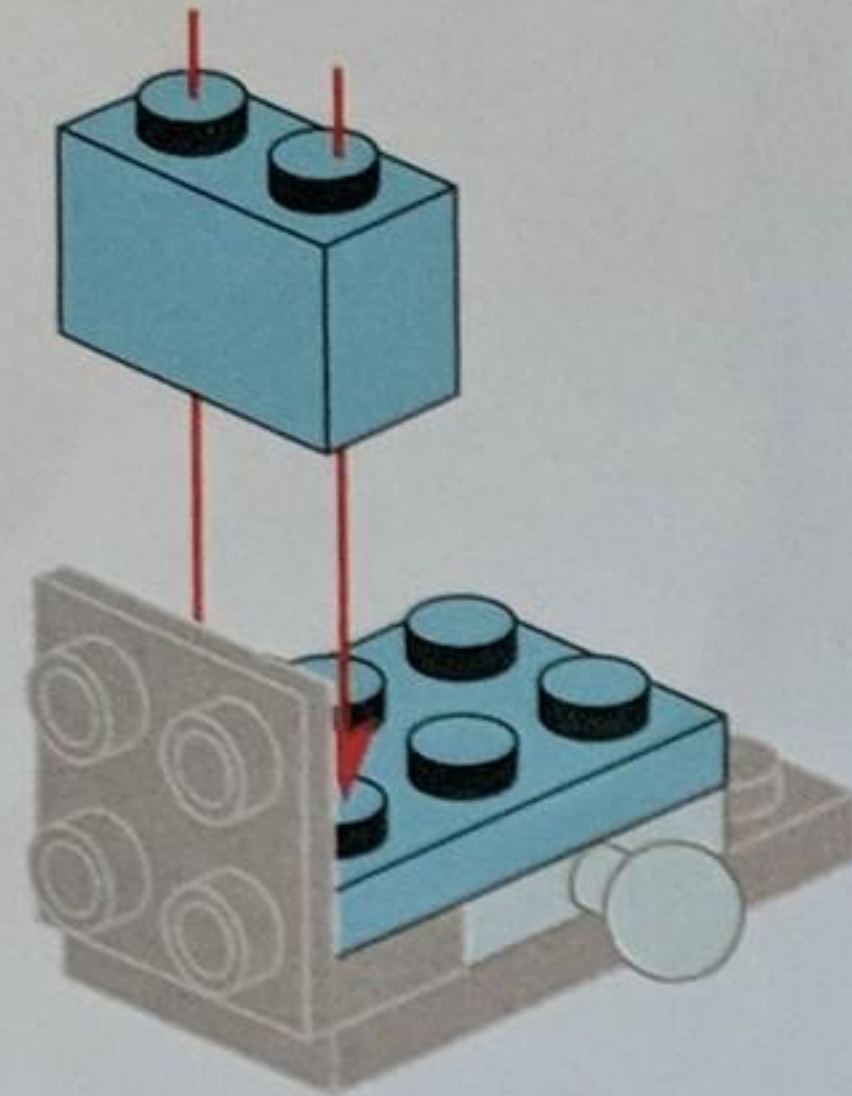
3



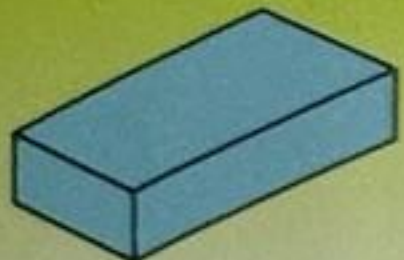
1x



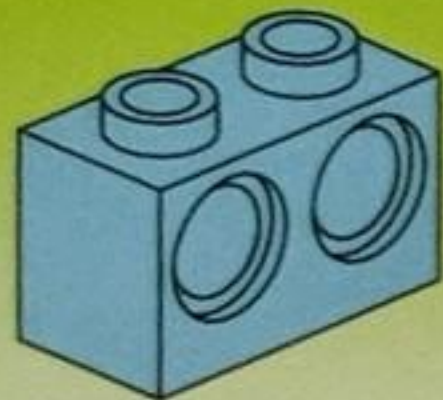
1x



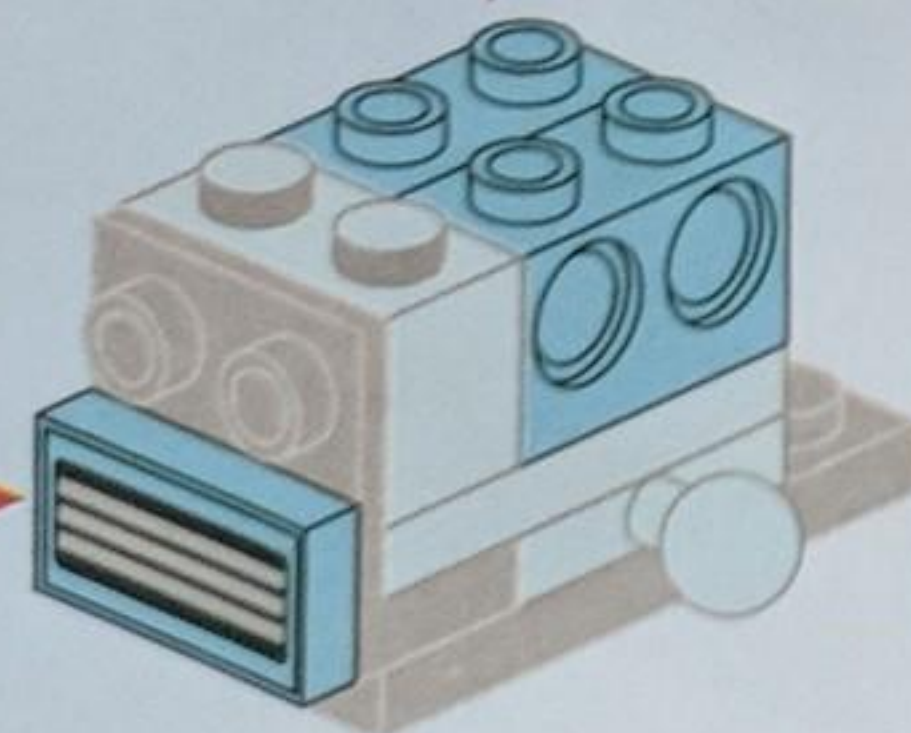
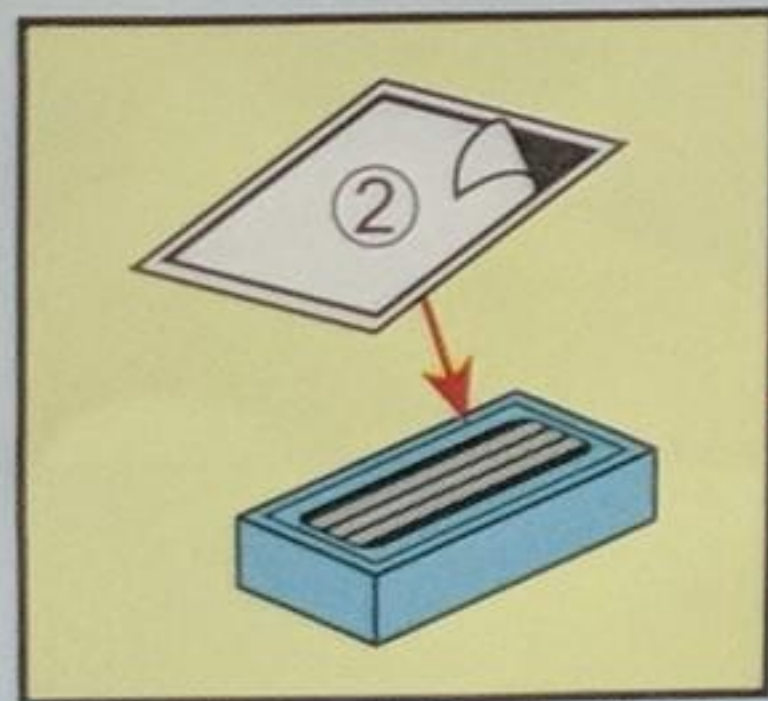
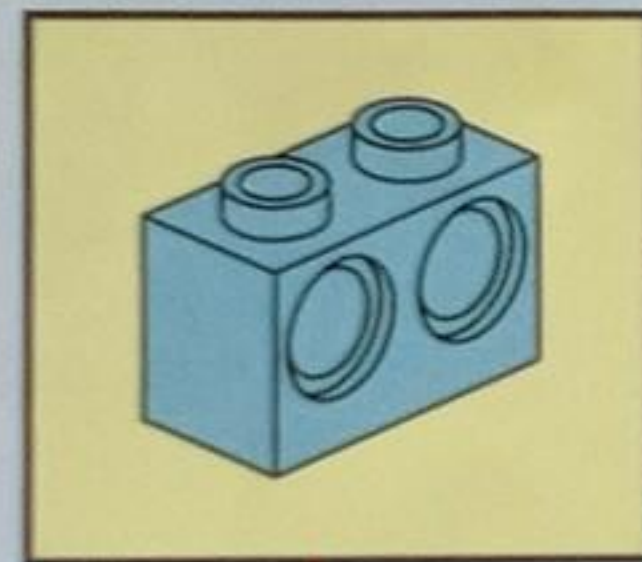
4



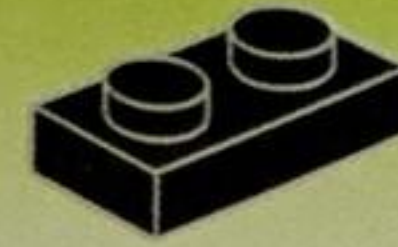
1x



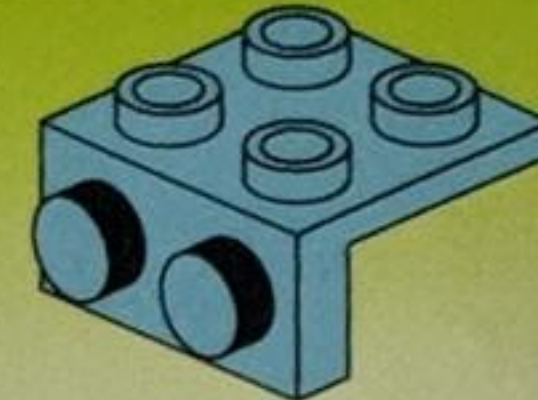
2x



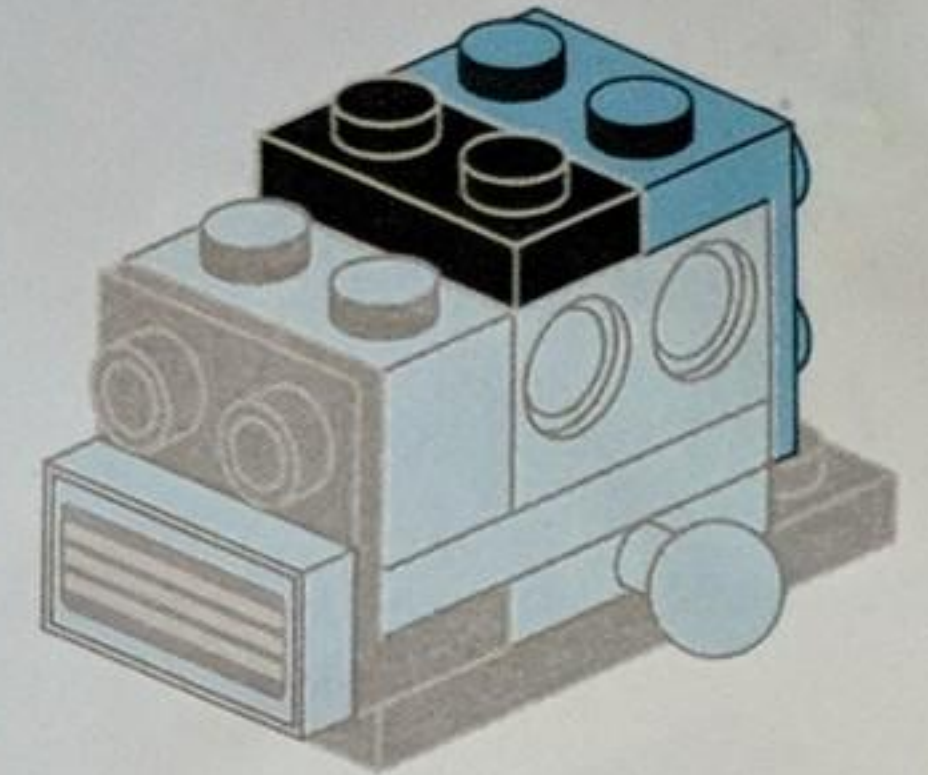
5



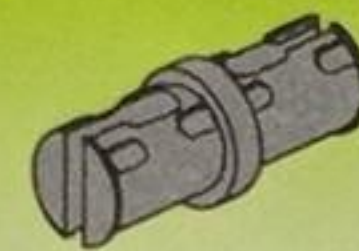
1x



1x



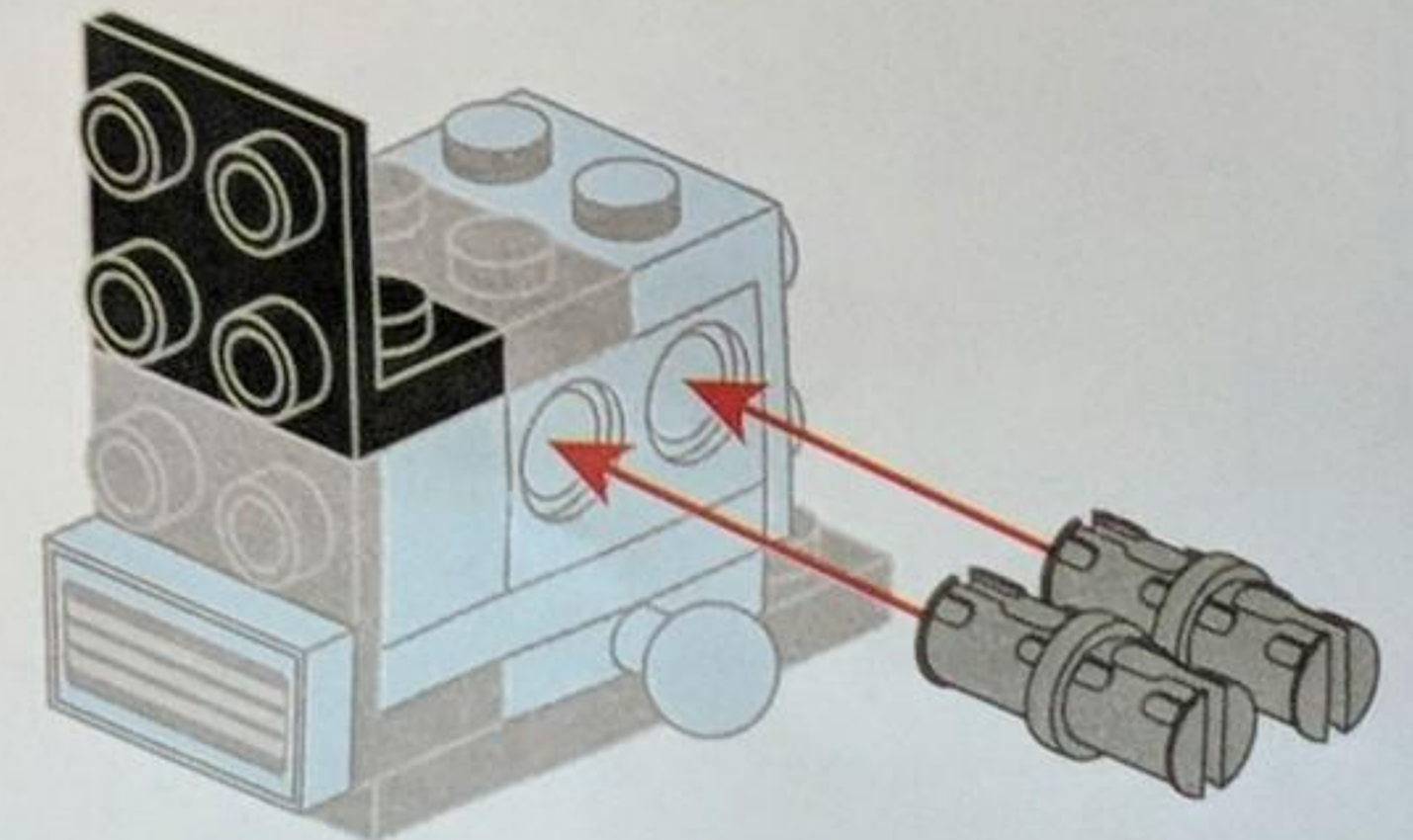
6



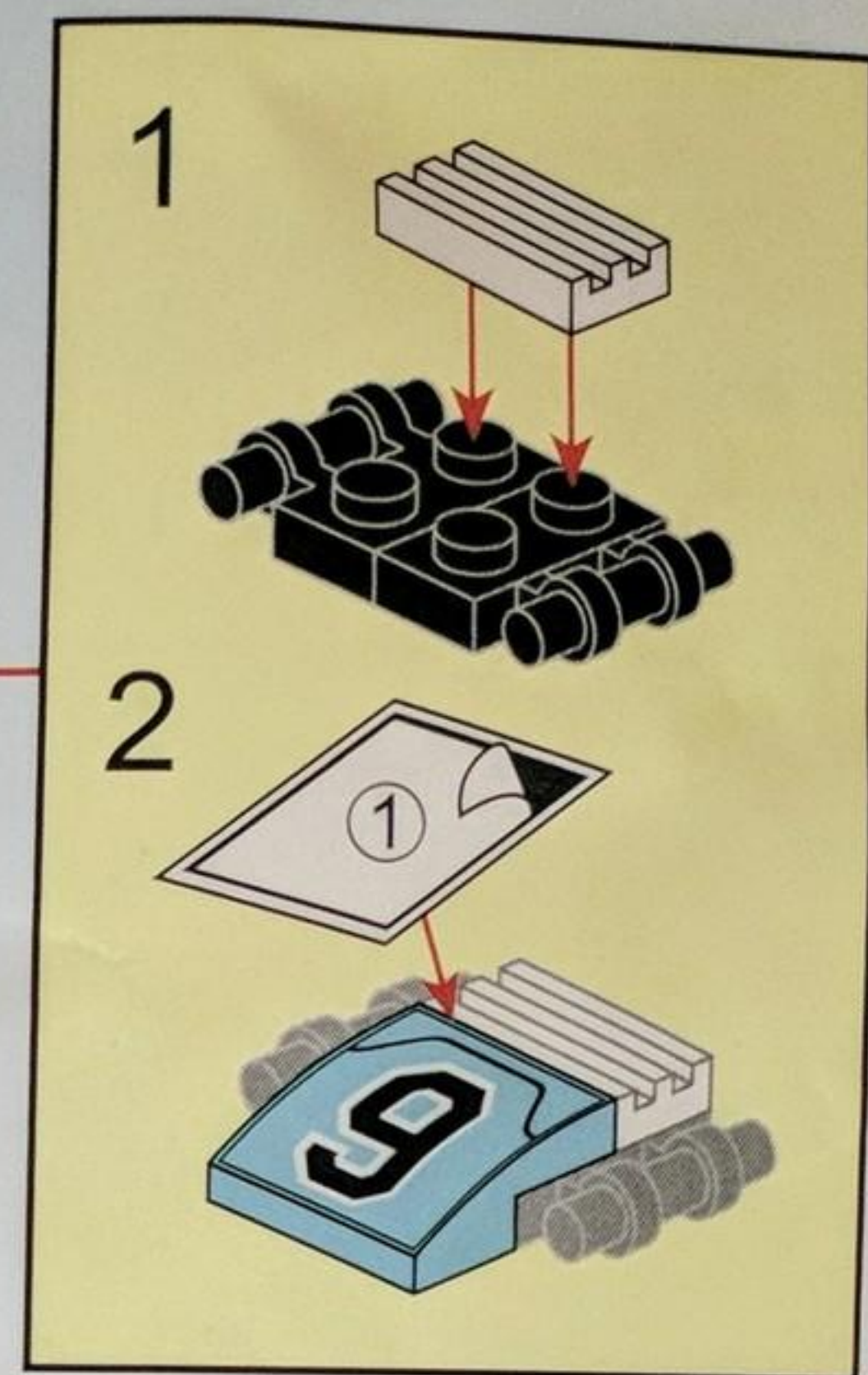
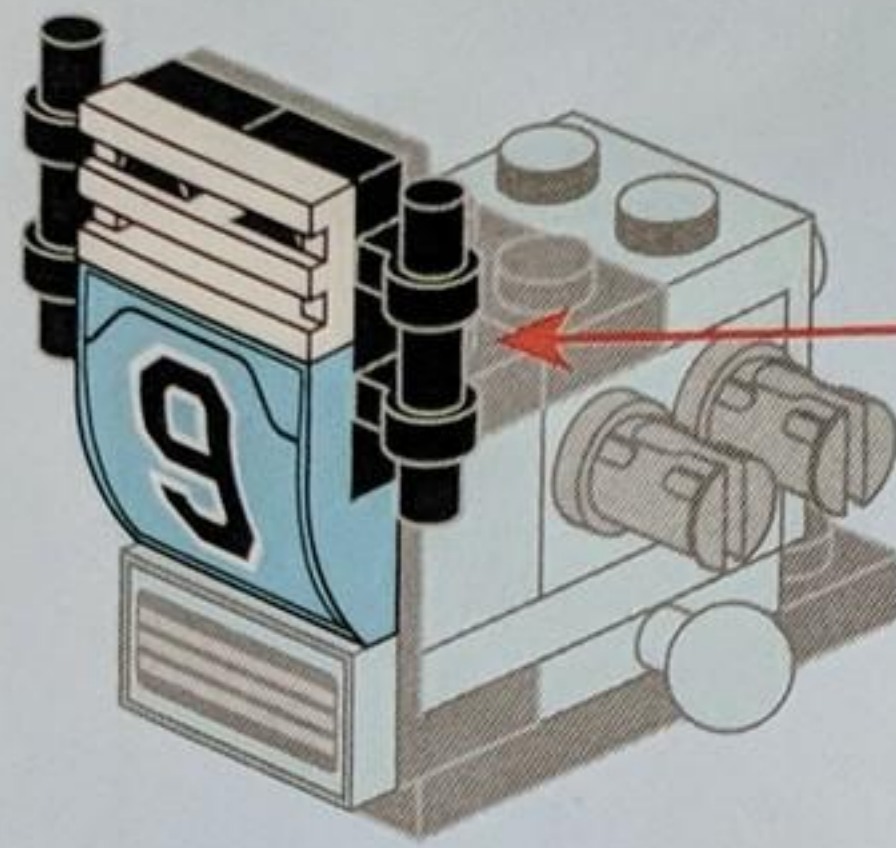
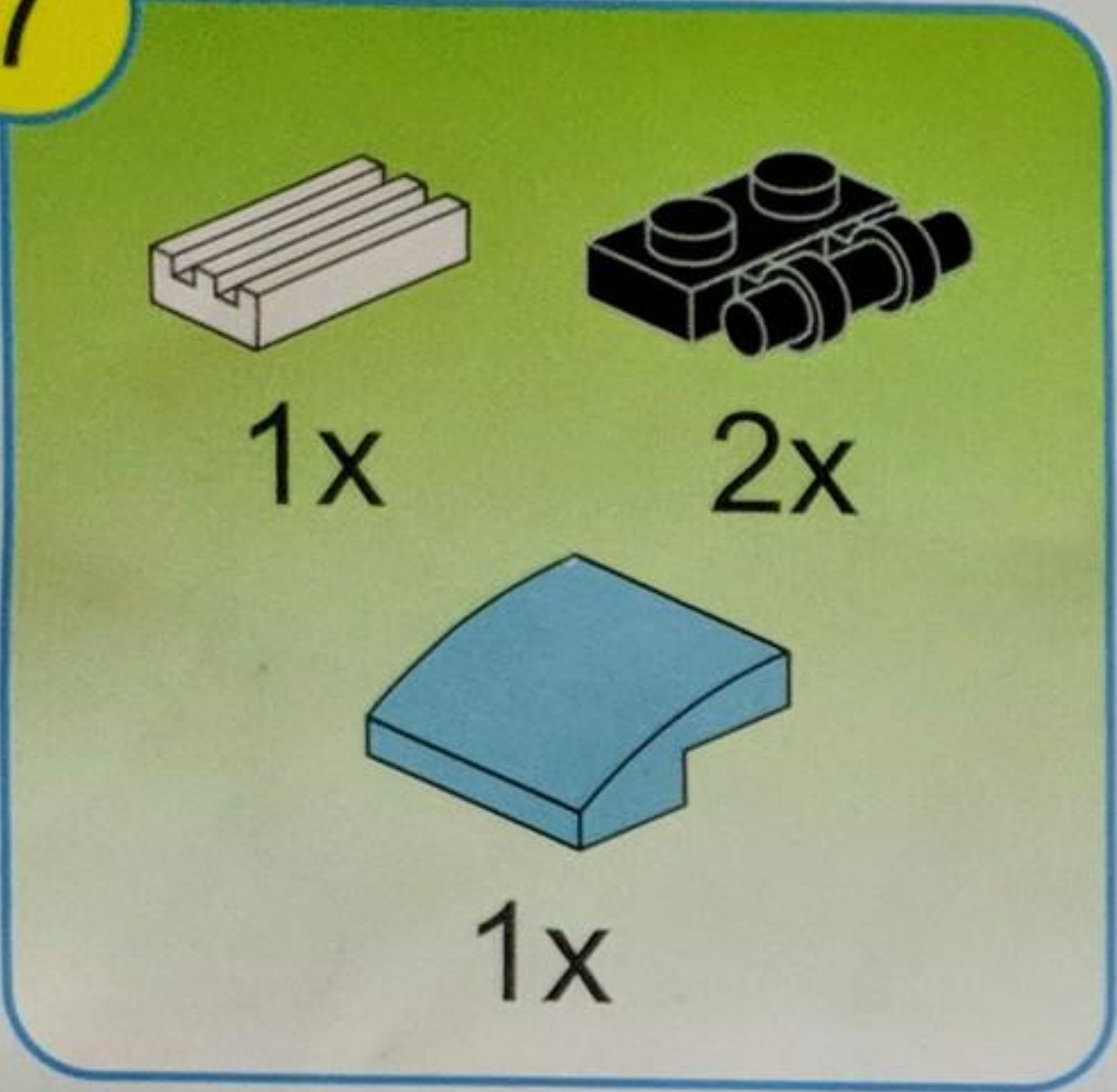
2x



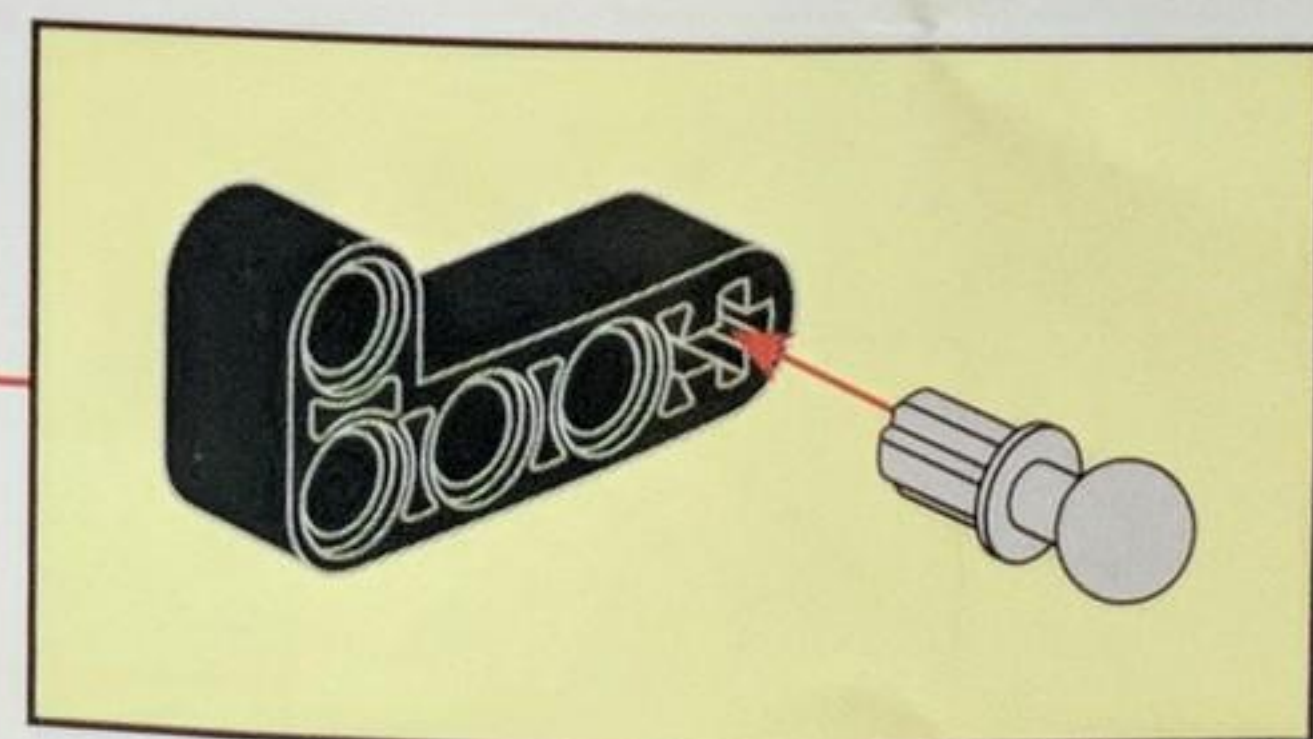
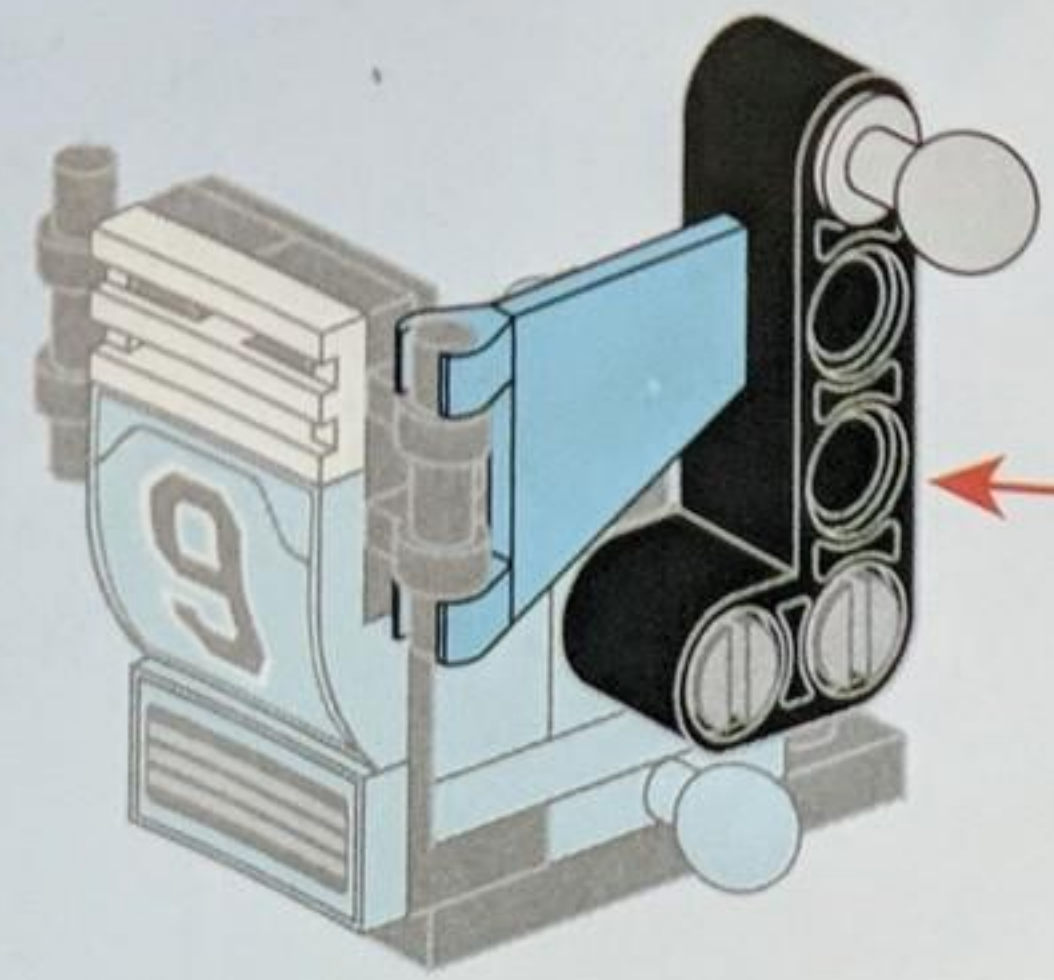
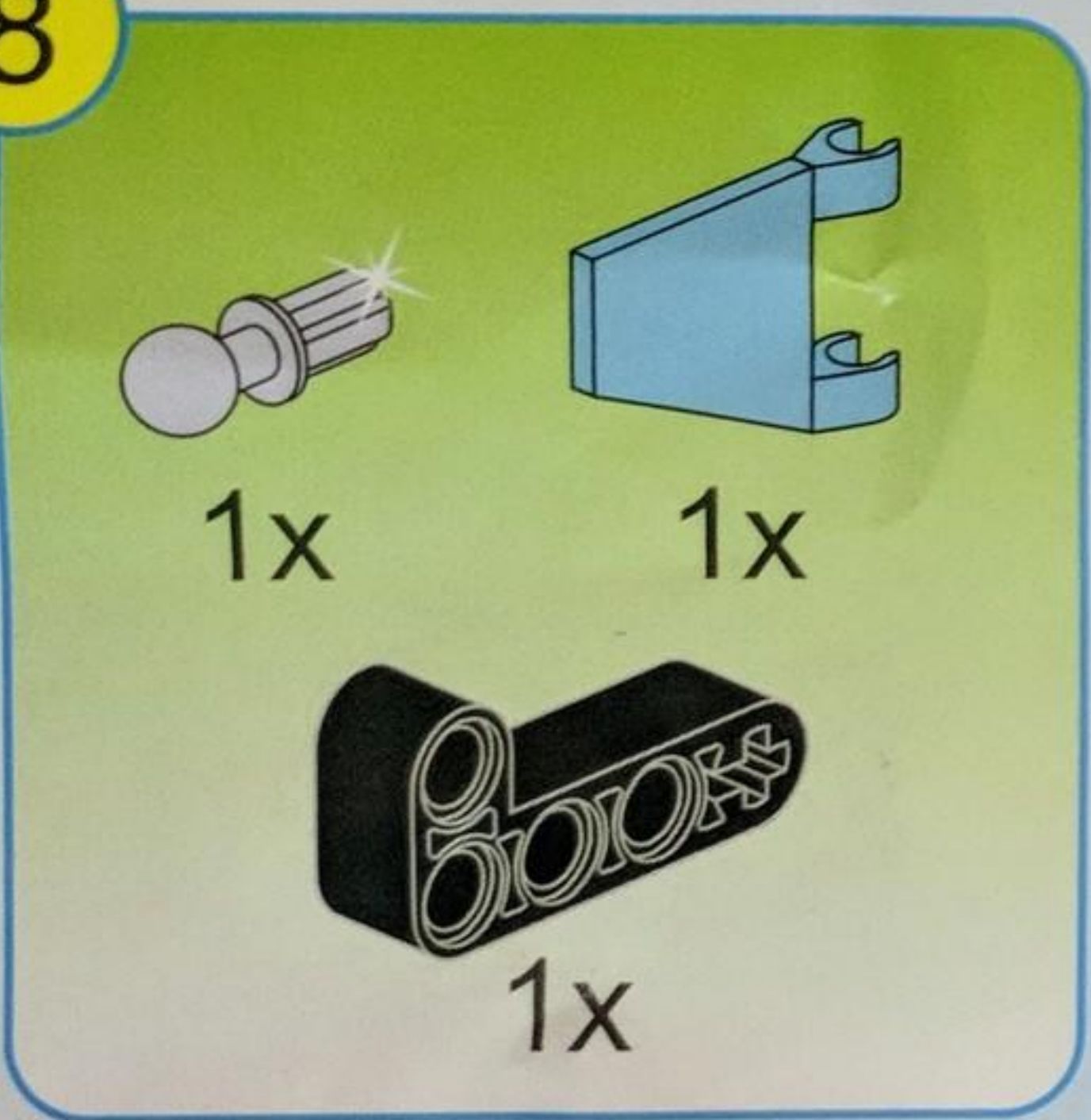
1x



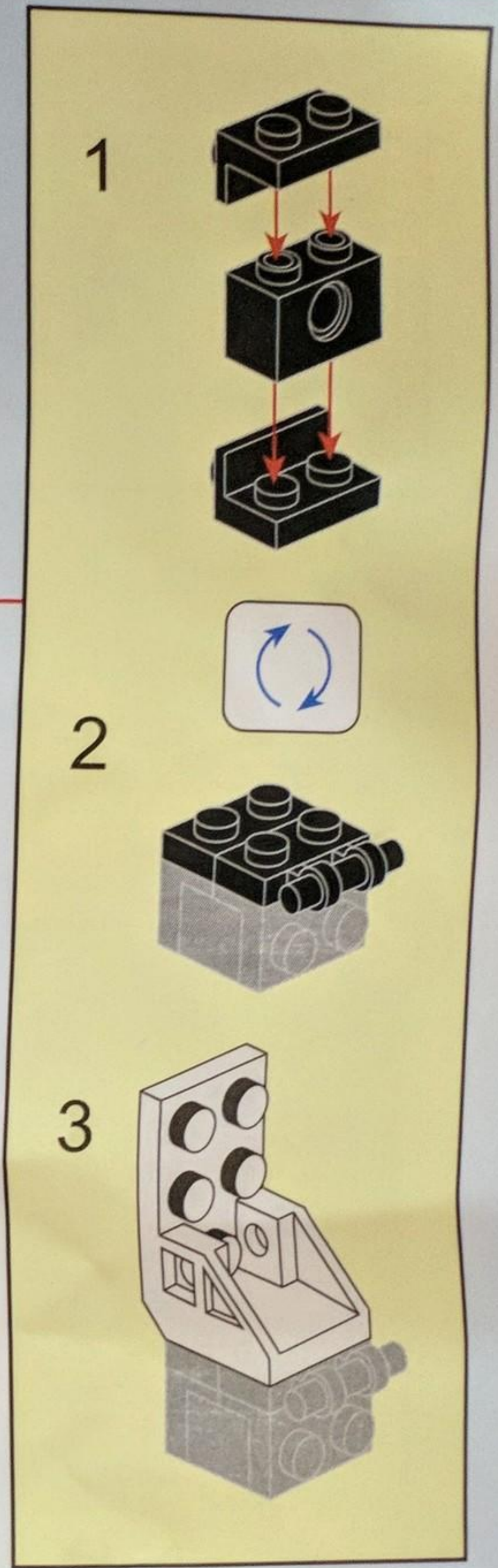
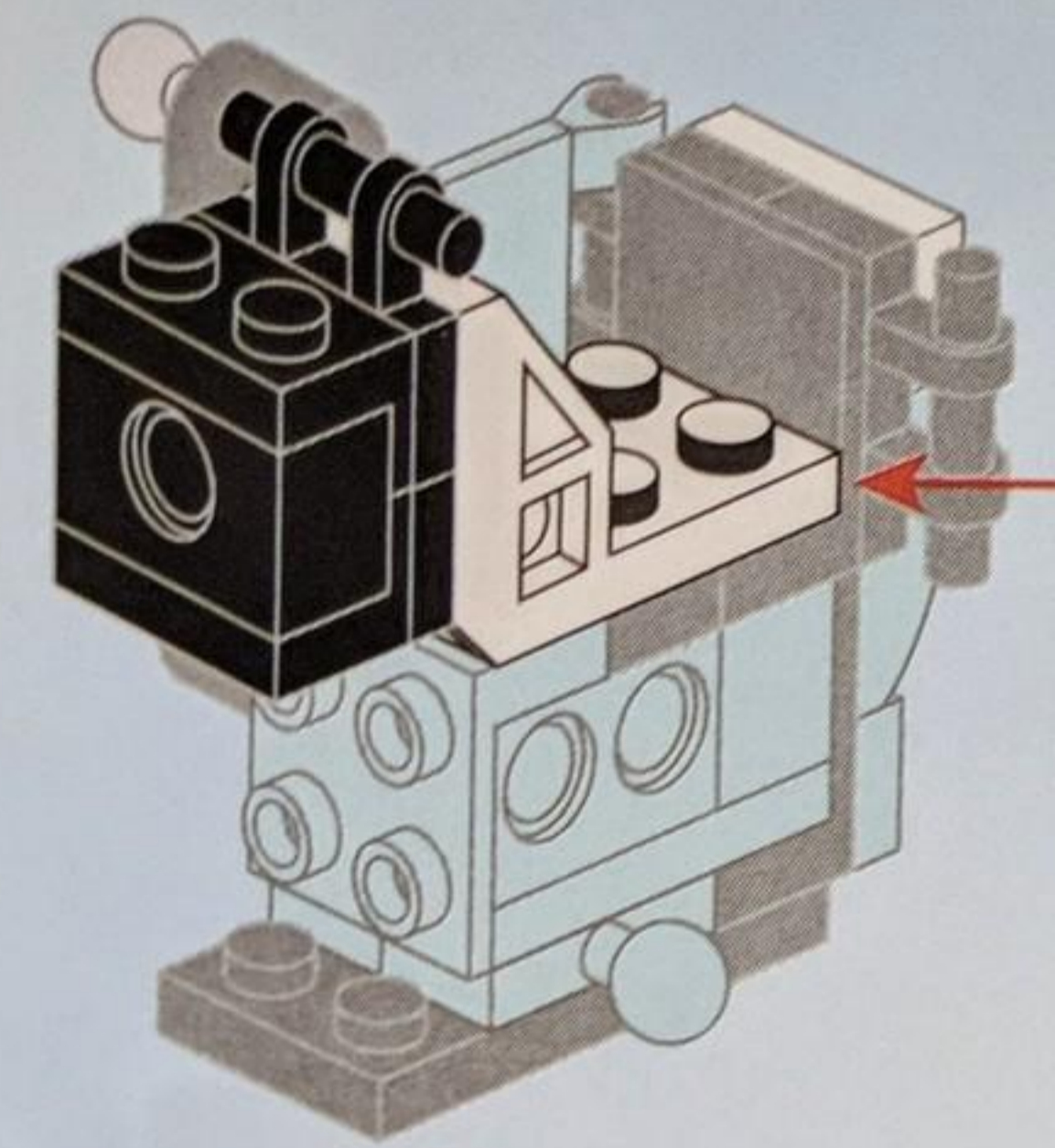
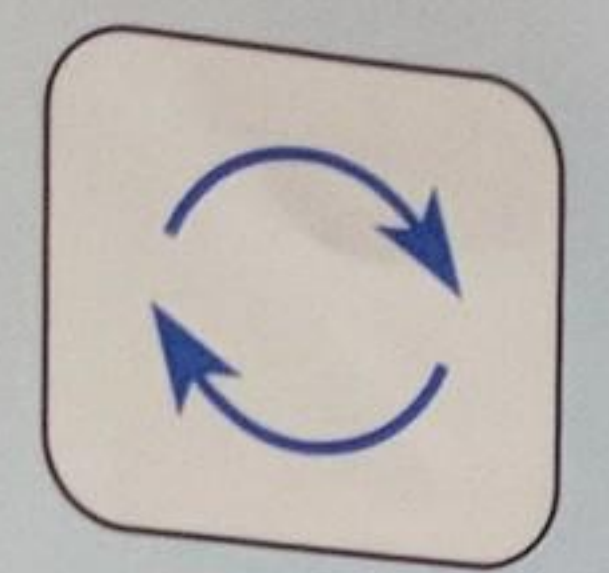
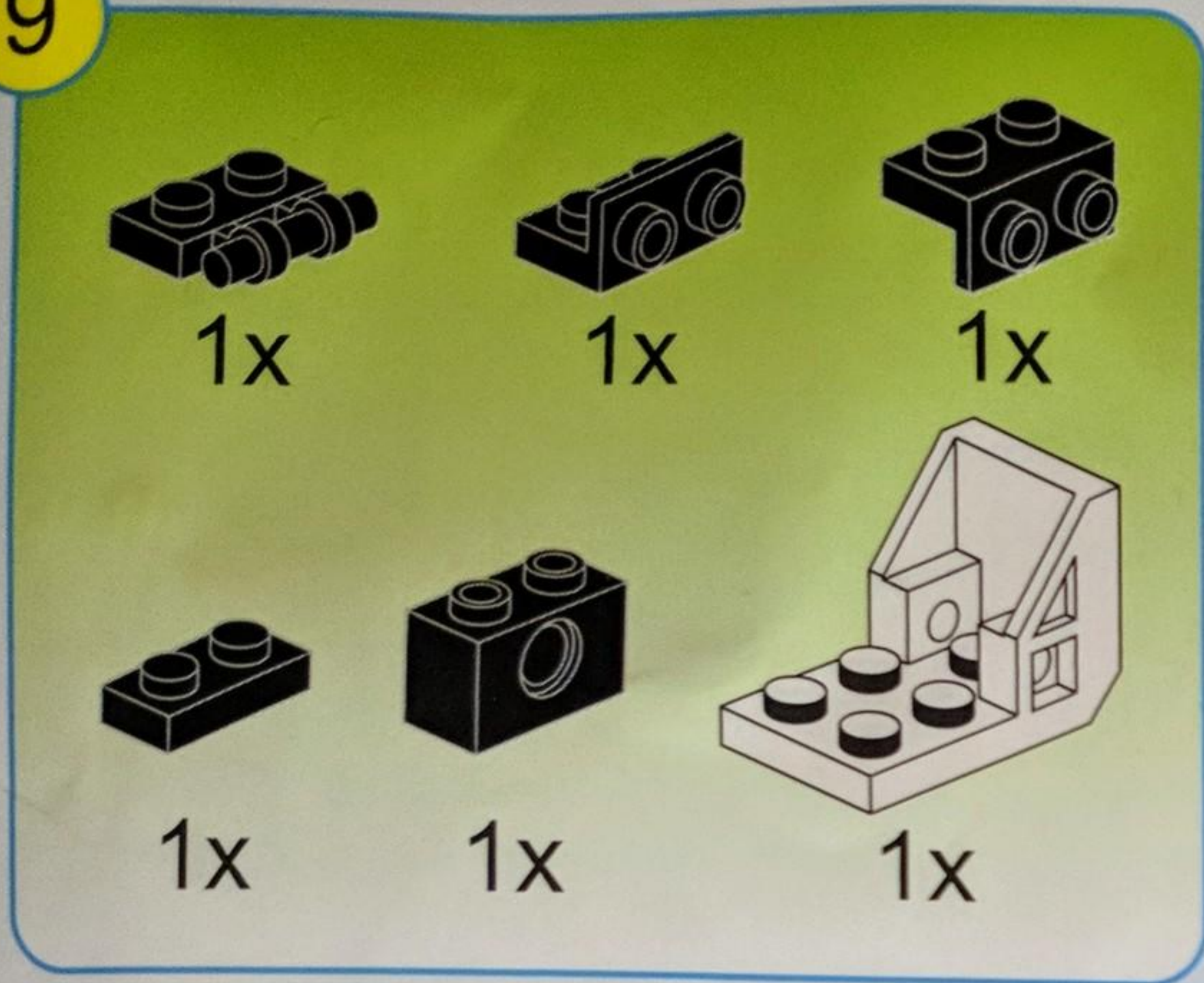
7



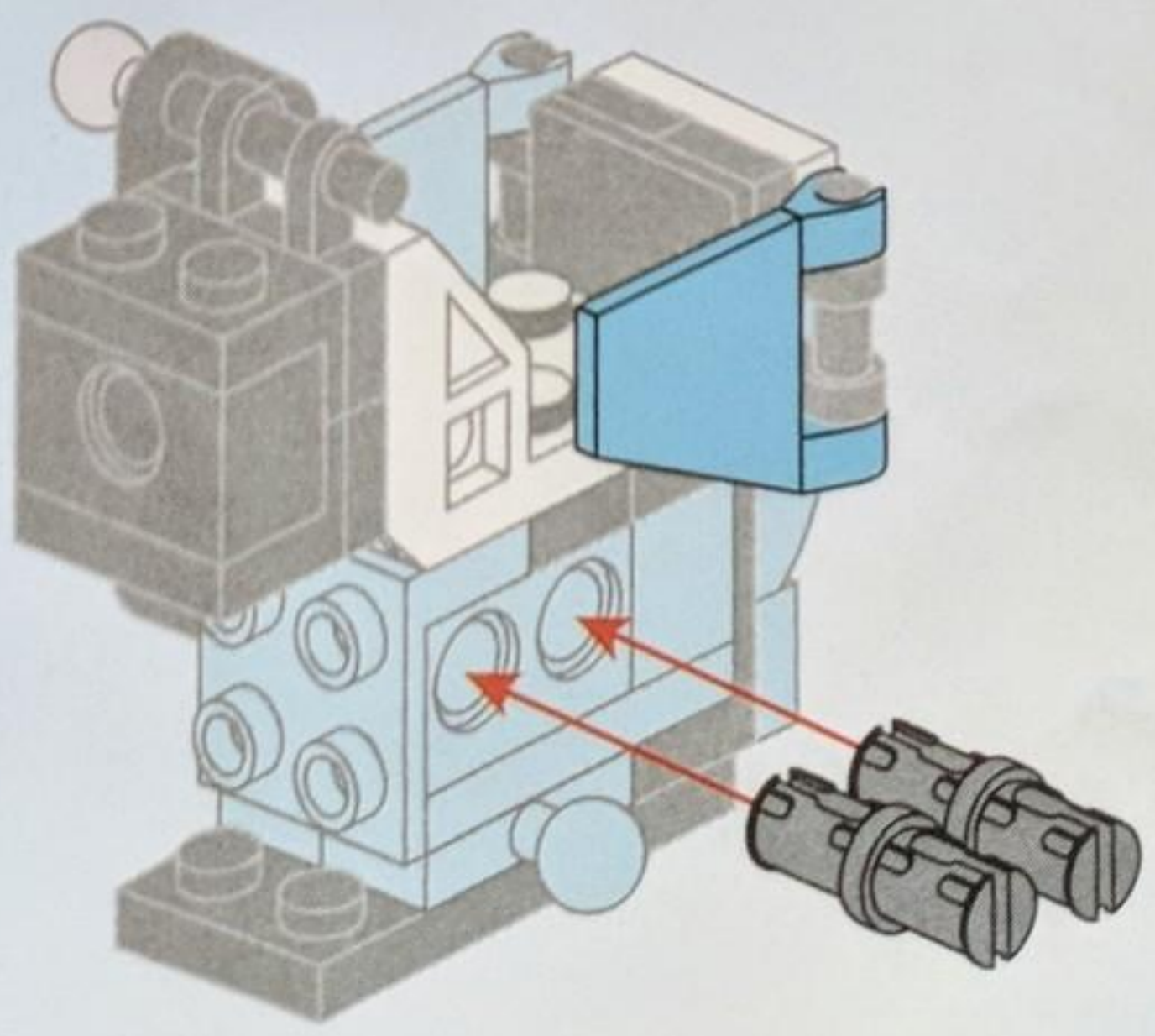
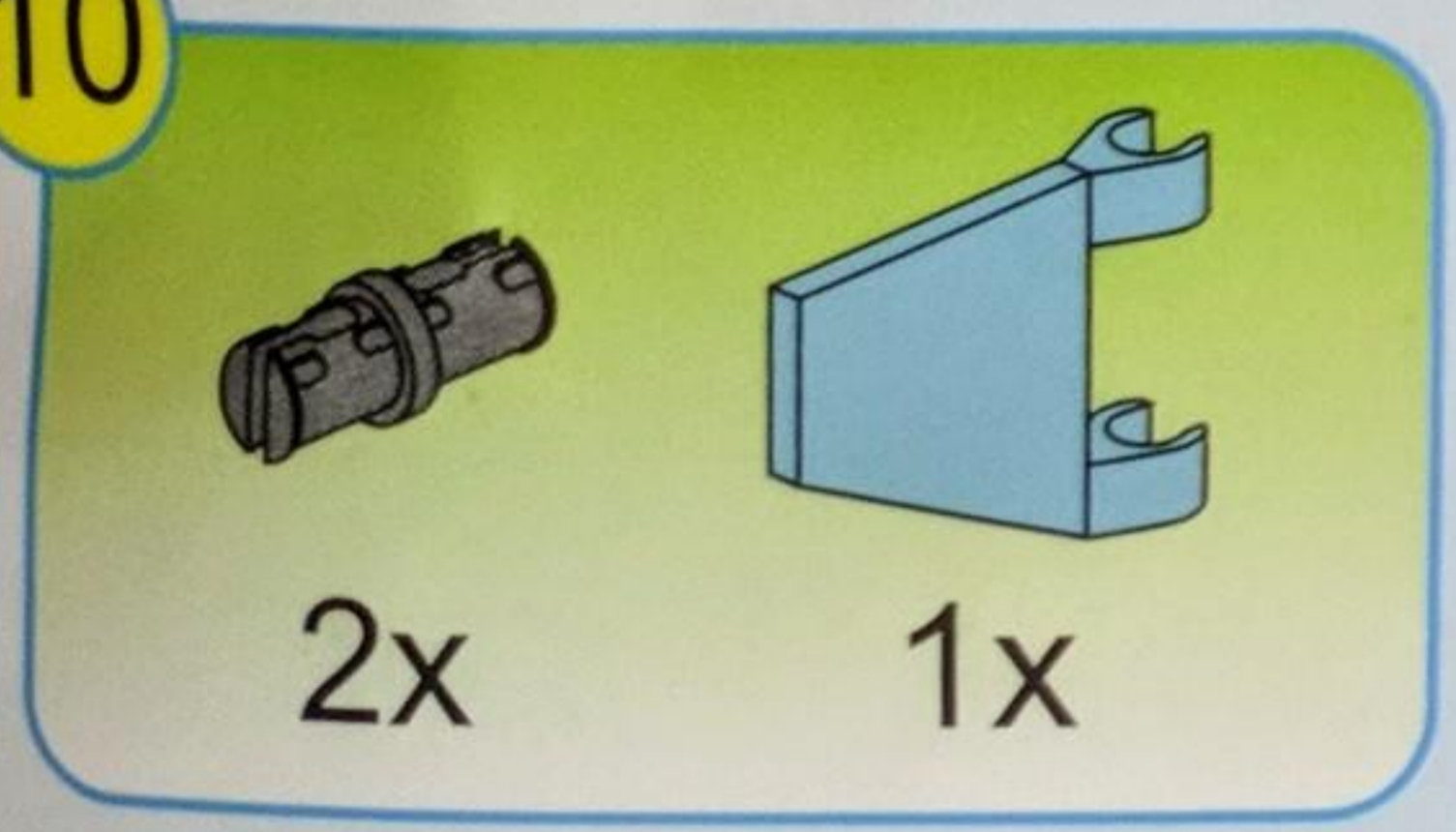
8



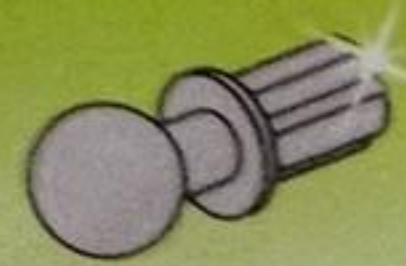
9



10



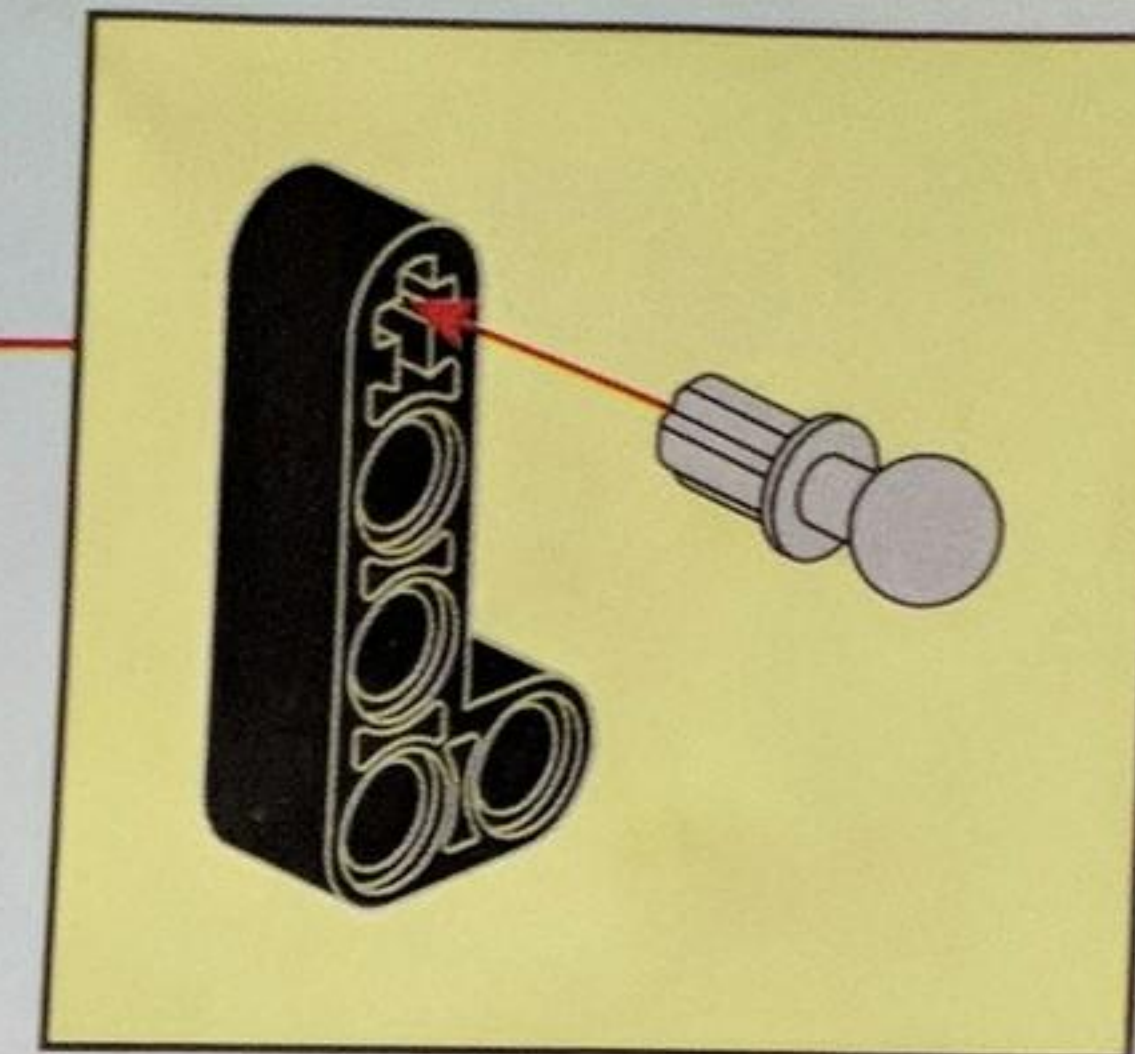
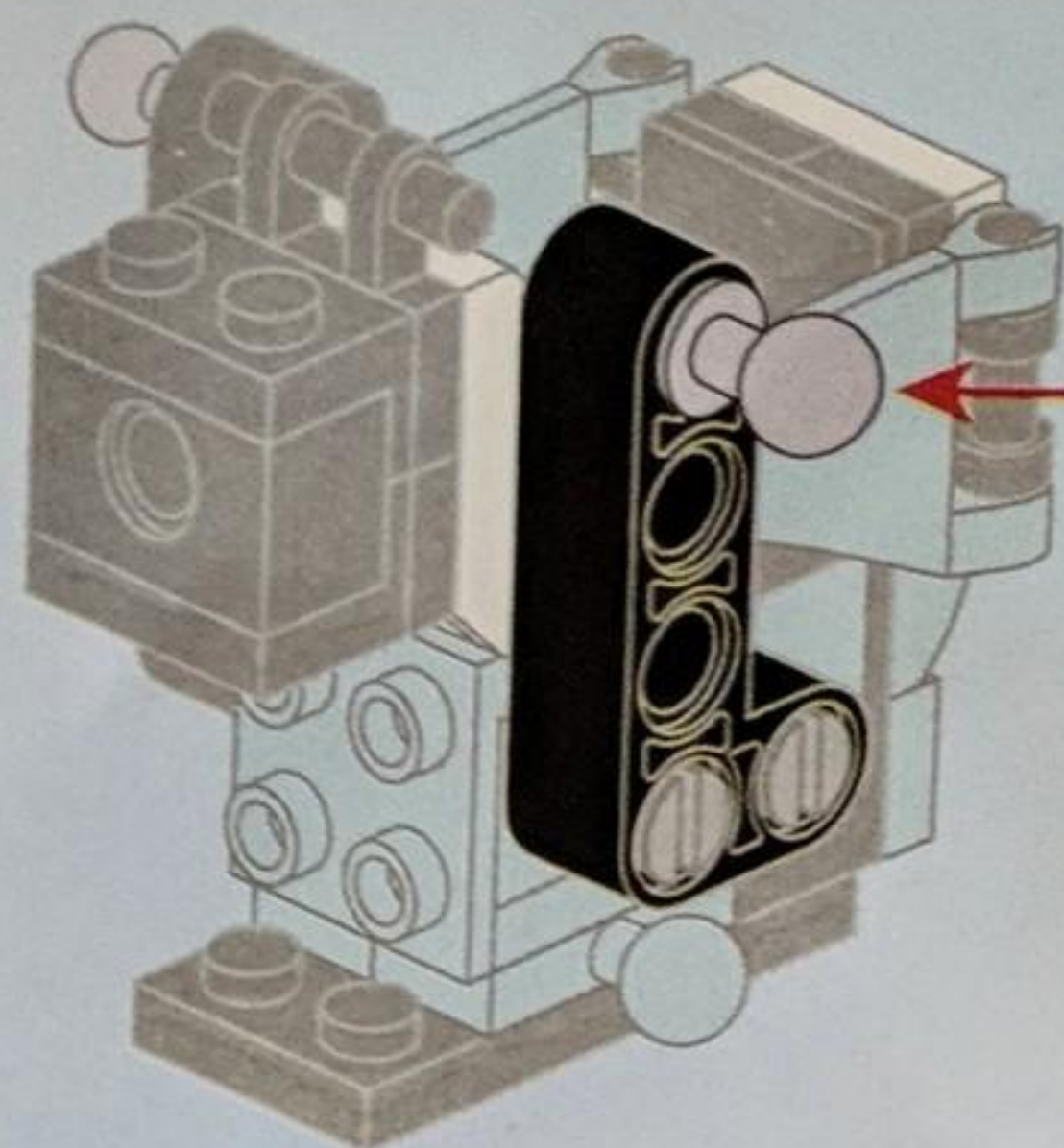
11



1x



1x



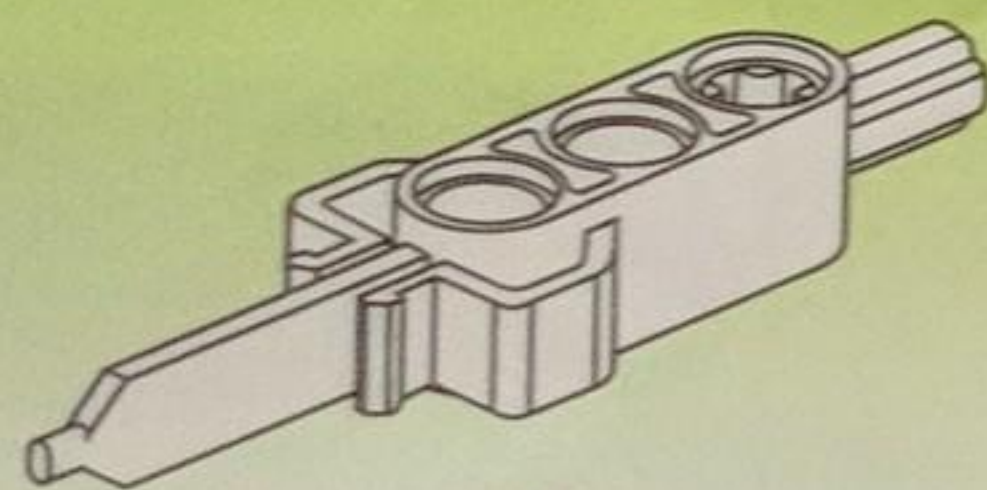
12



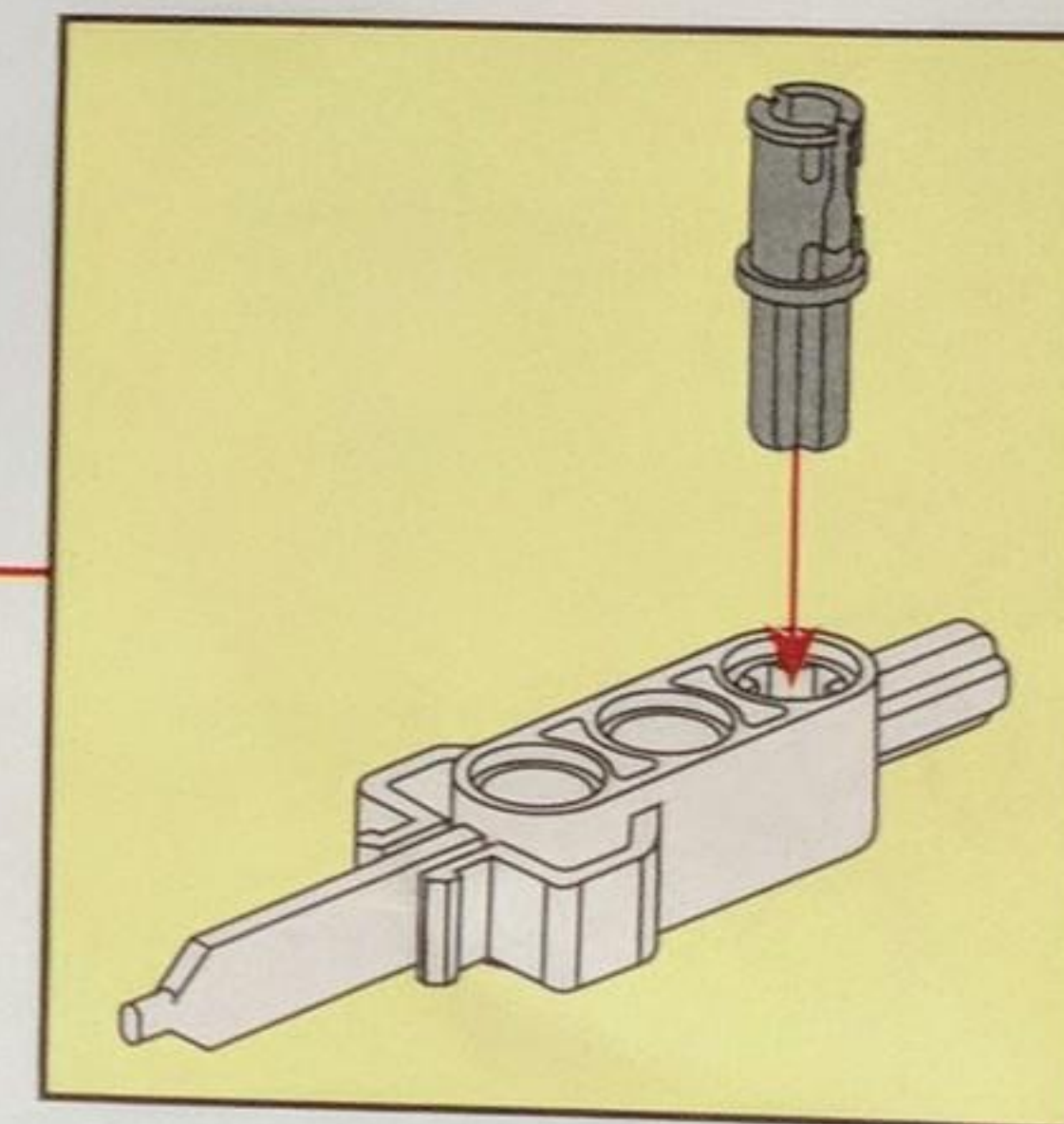
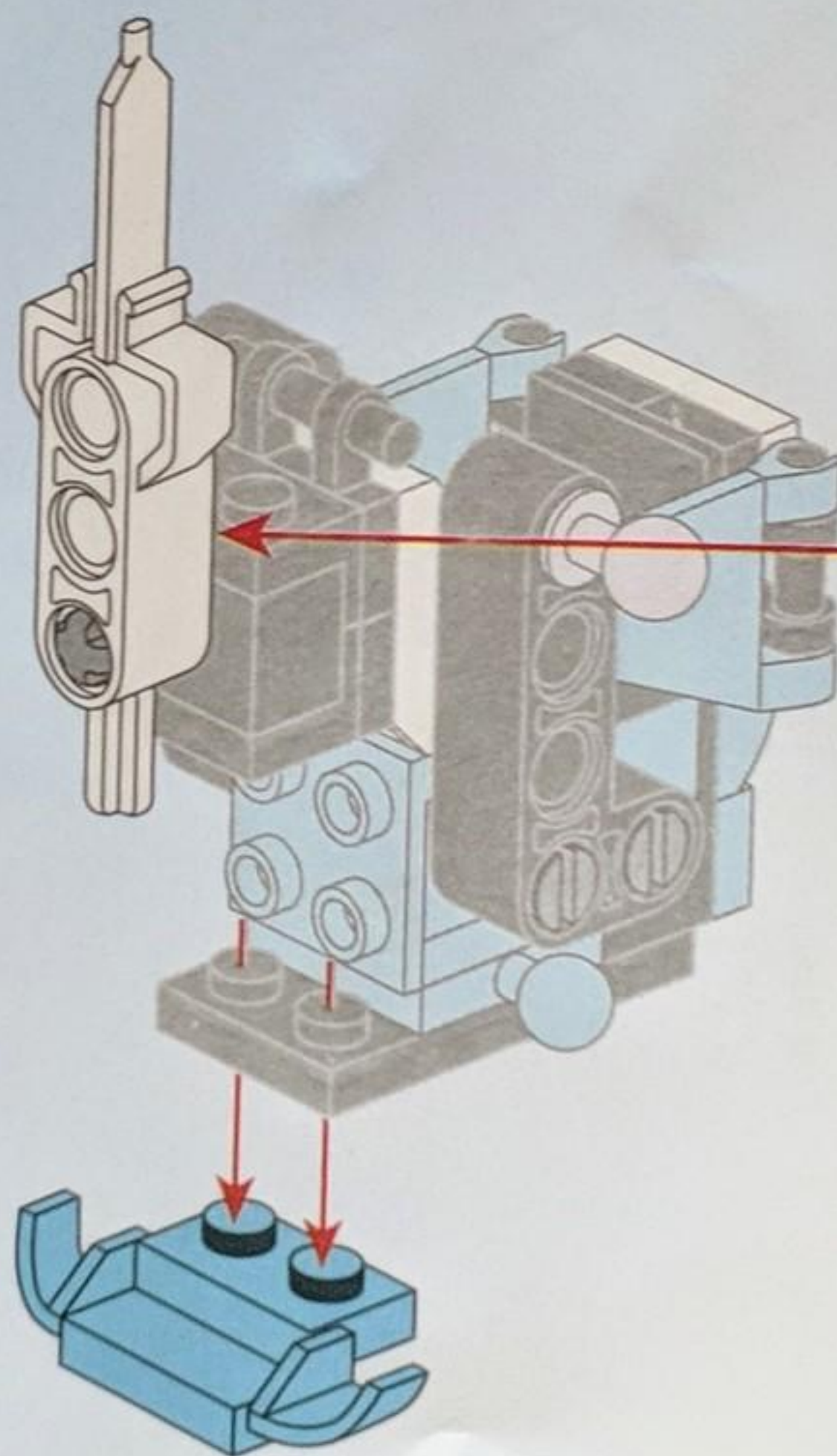
1x



1x



1x



13



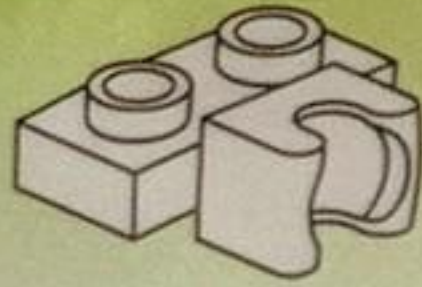
2x



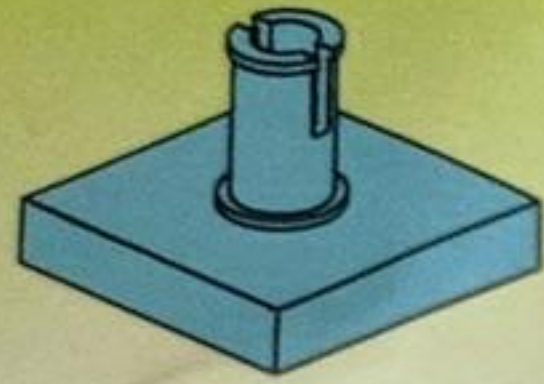
2x



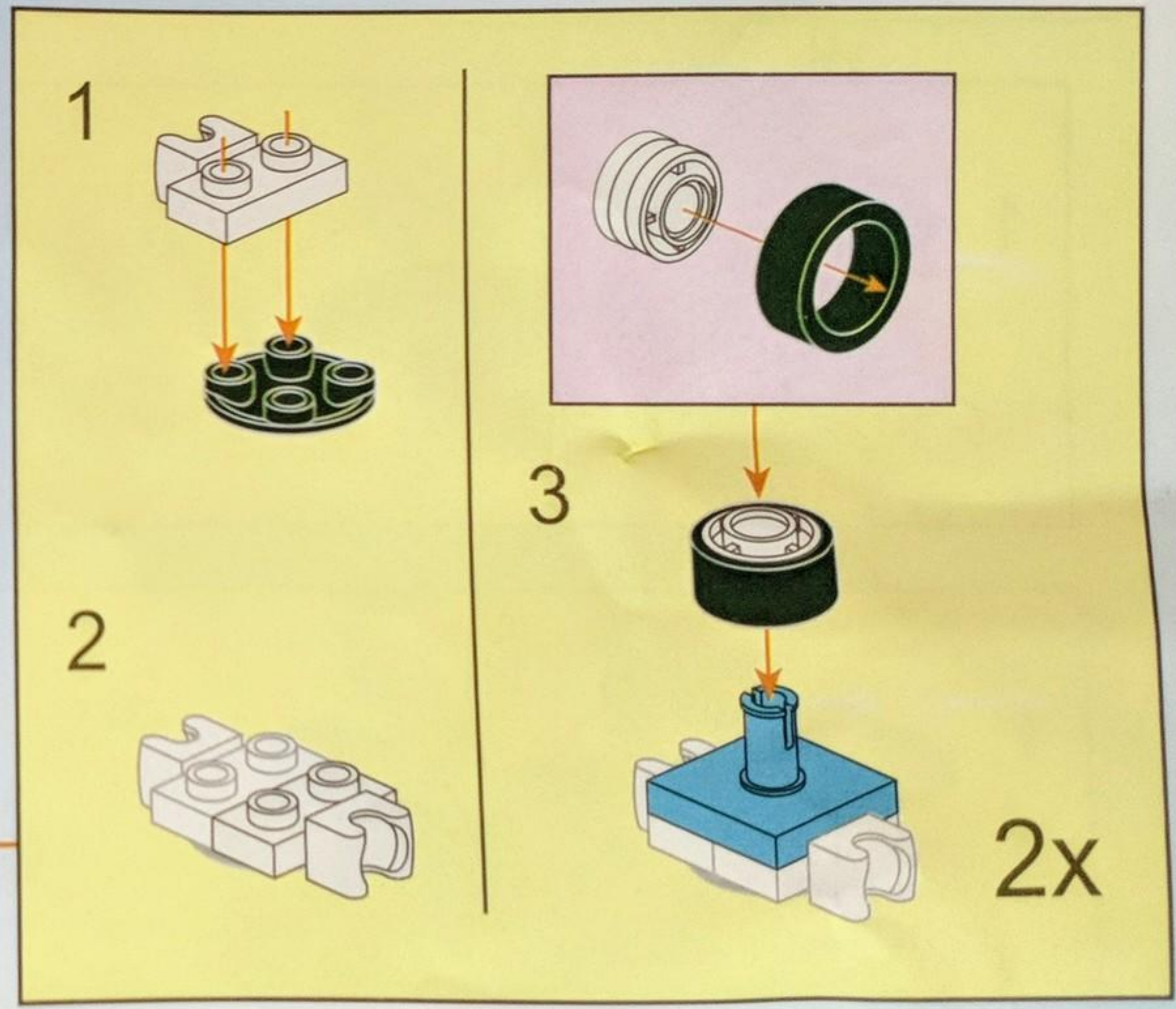
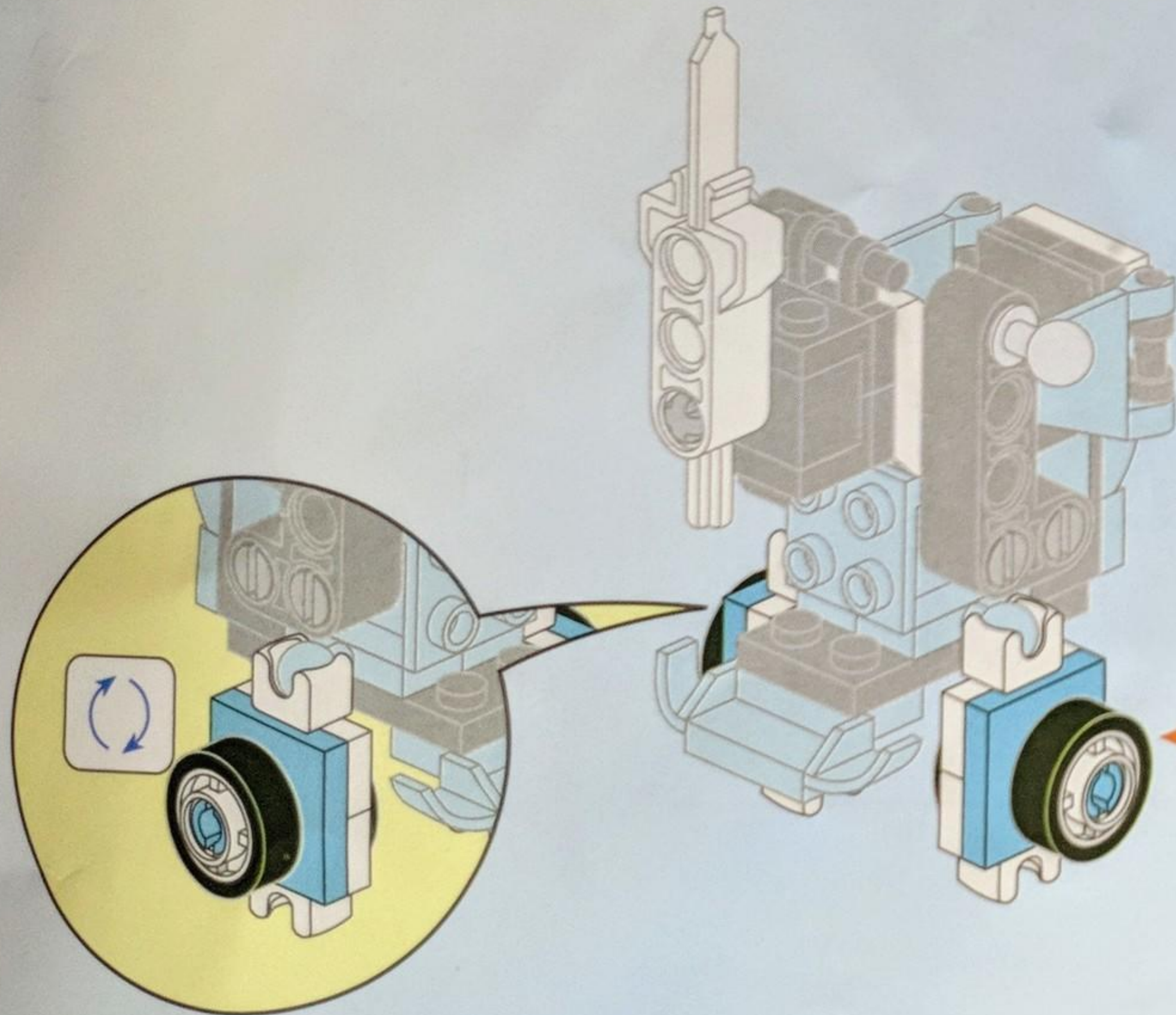
2x



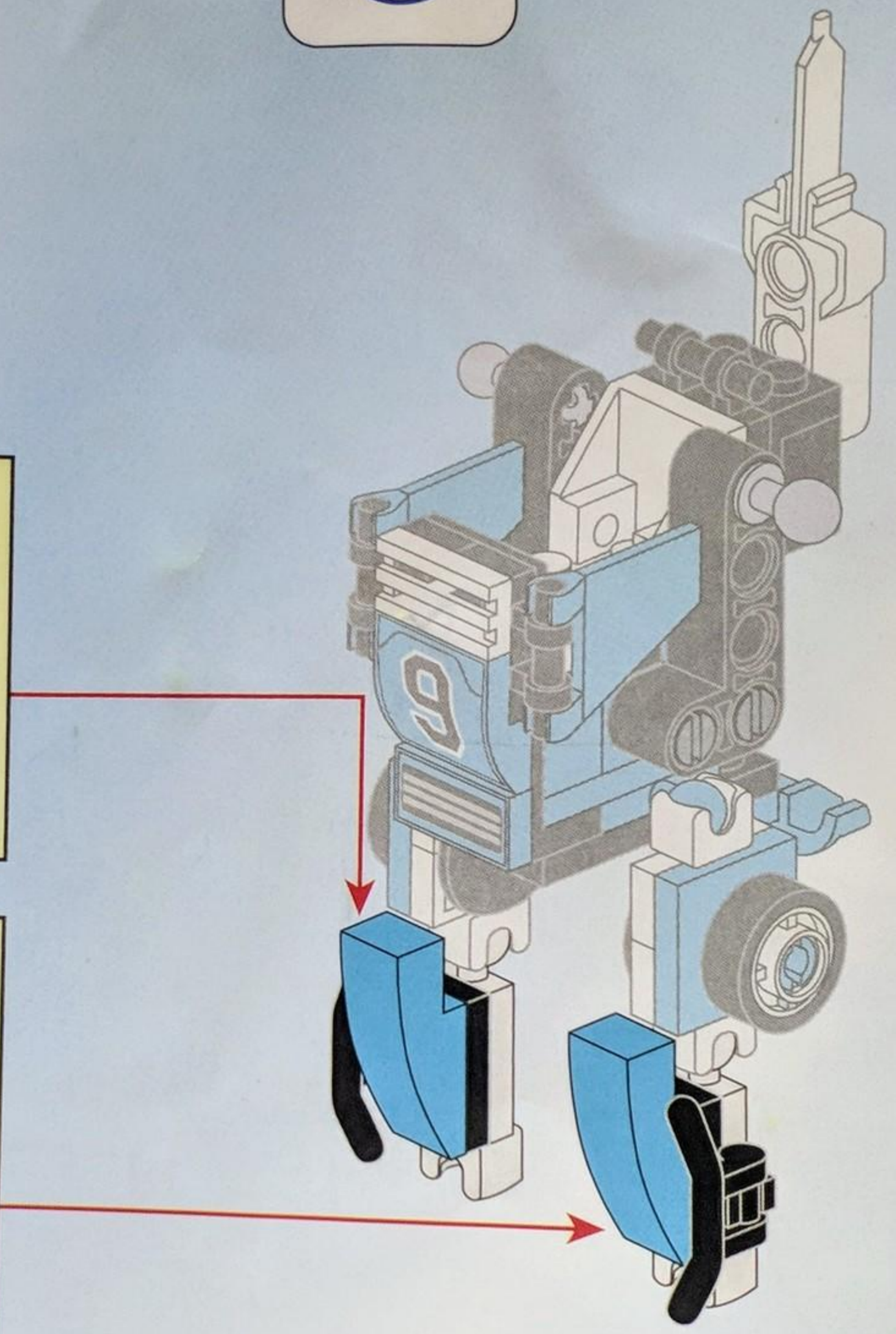
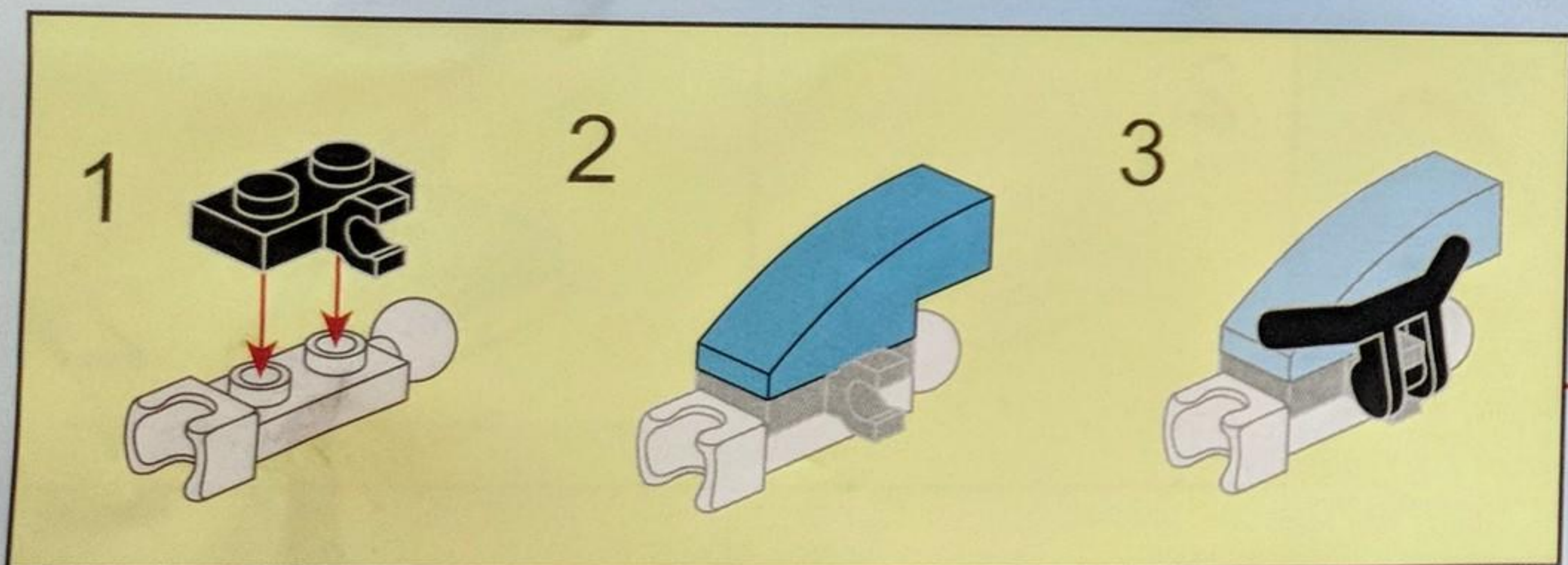
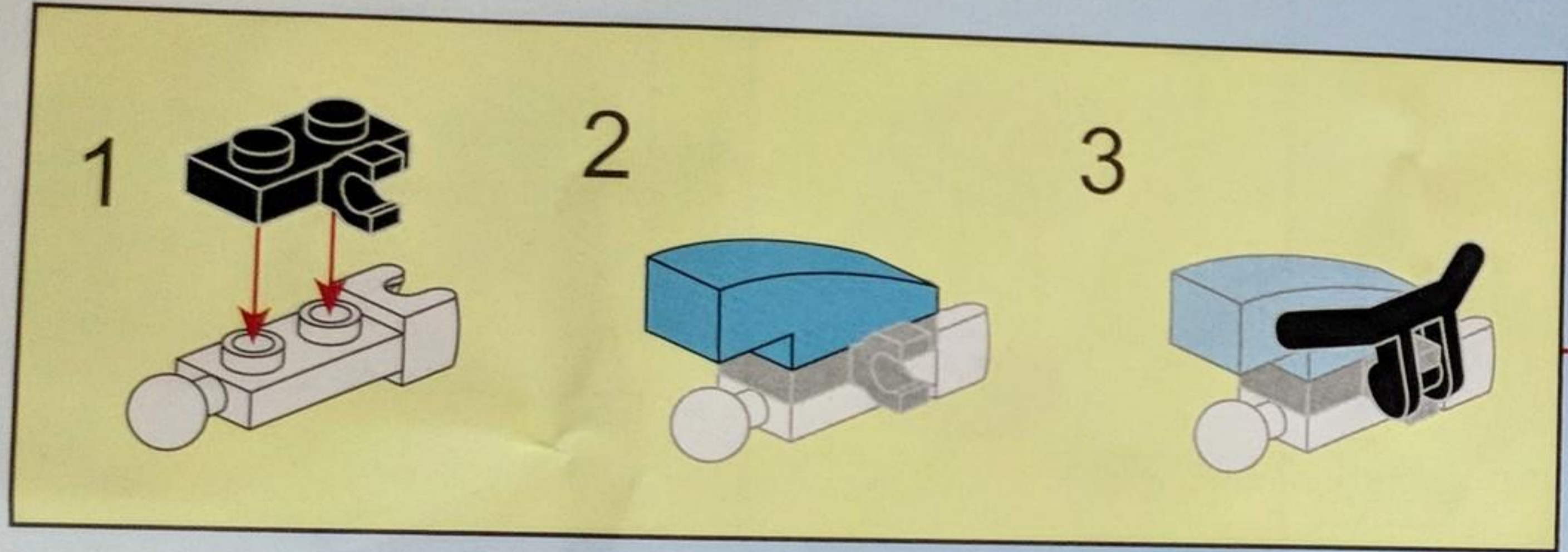
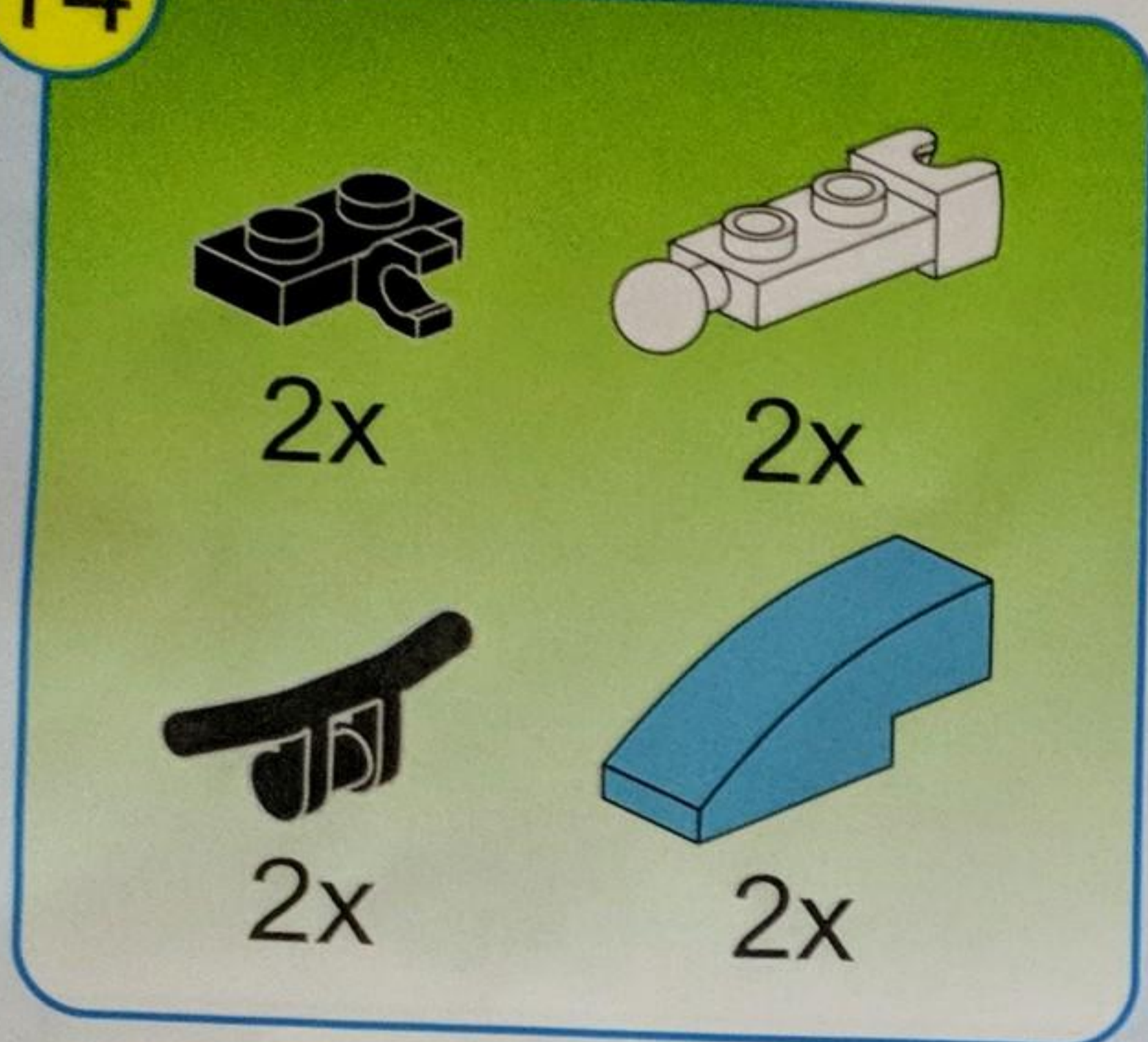
4x






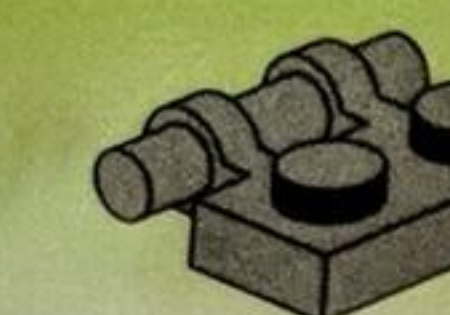
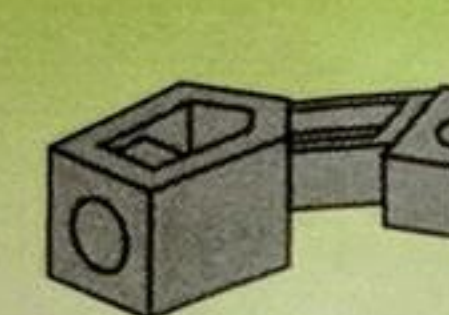
2x

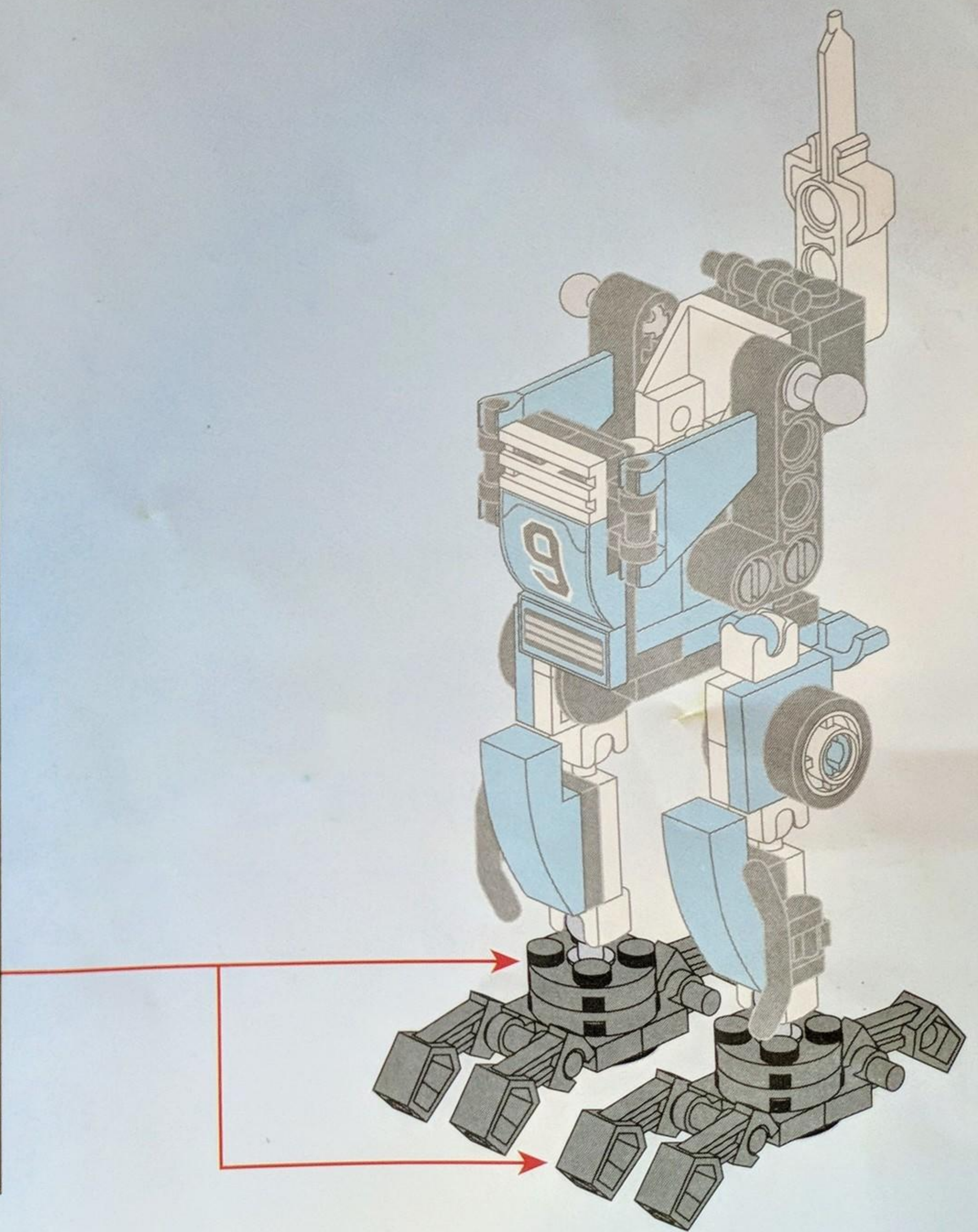
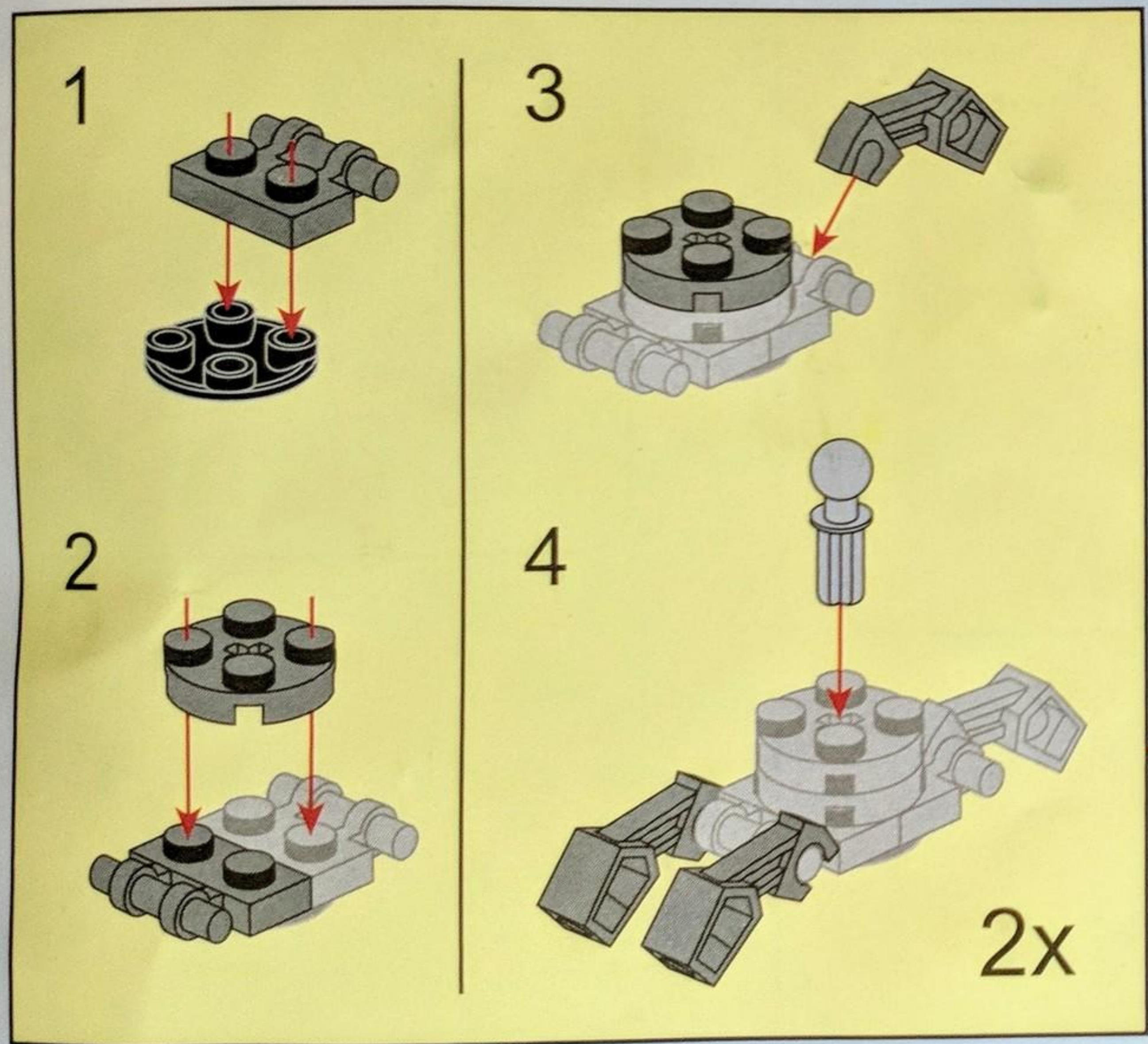


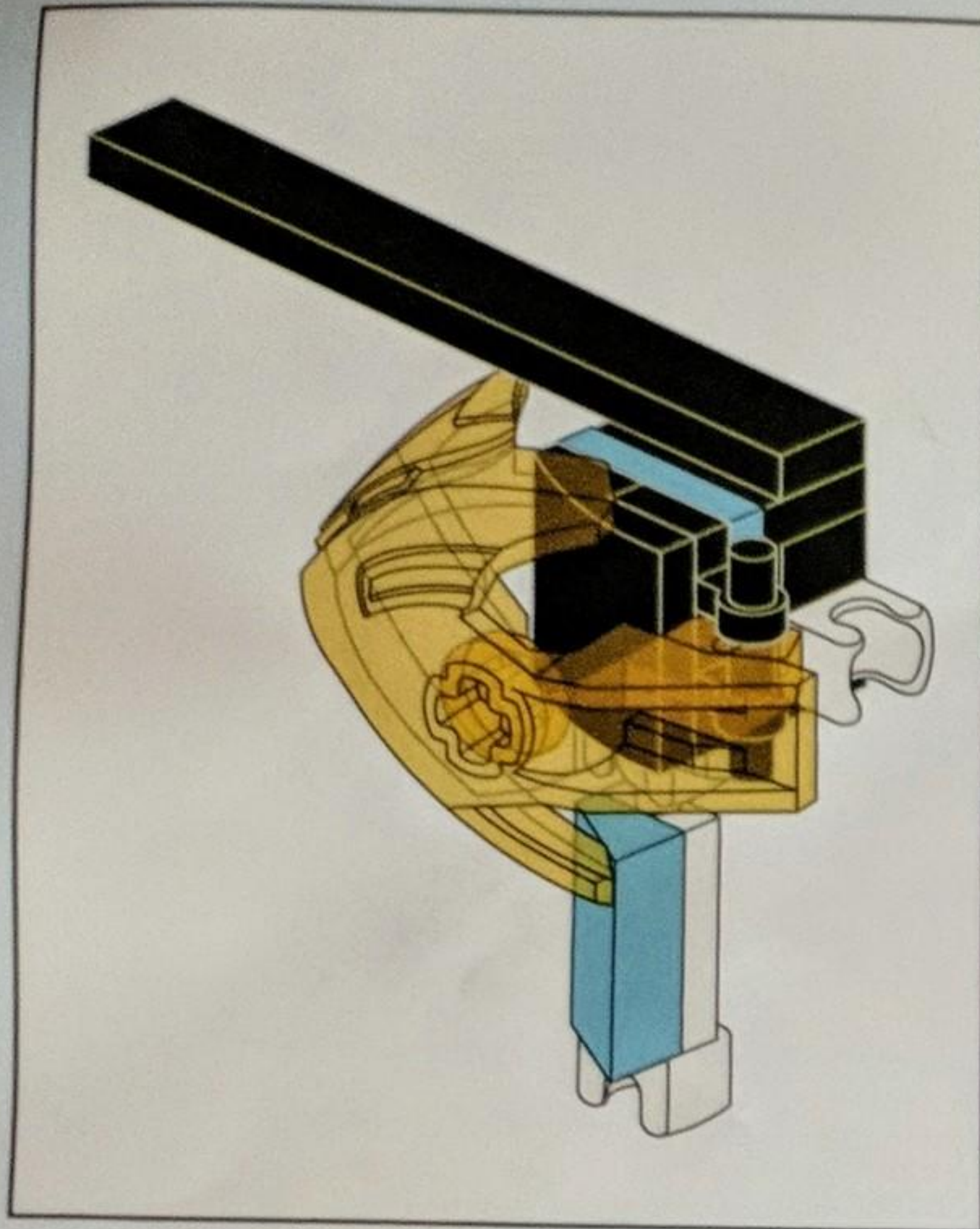
14



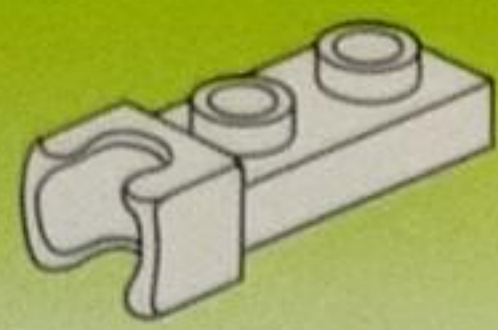
15

- 2x 
- 2x 
- 4x 
- 4x 
- 6x 





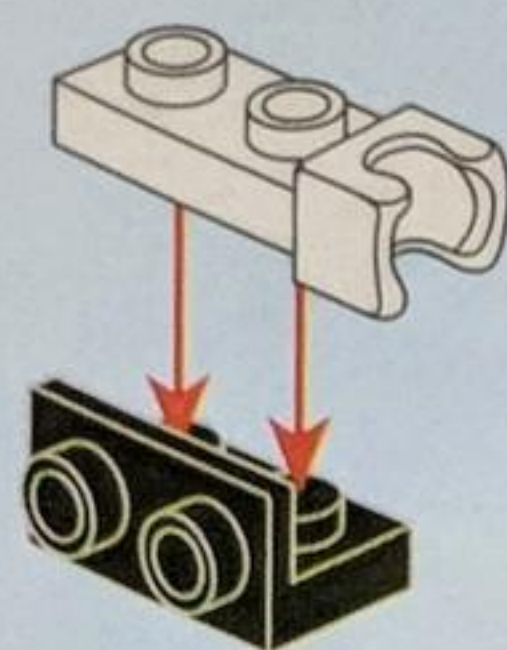
16



1x



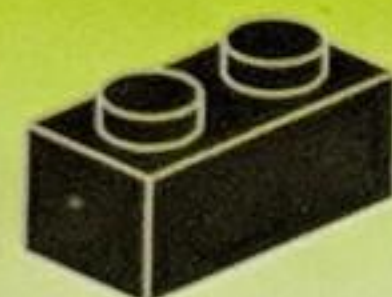
1x



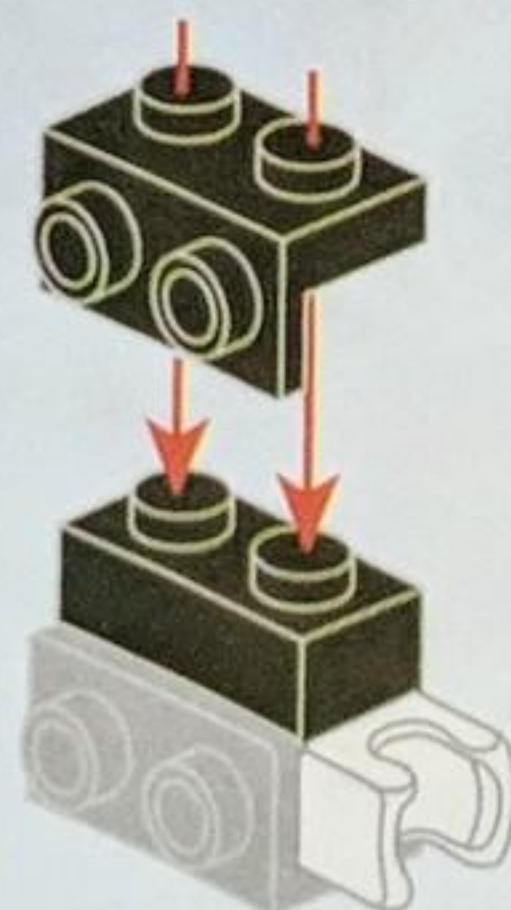
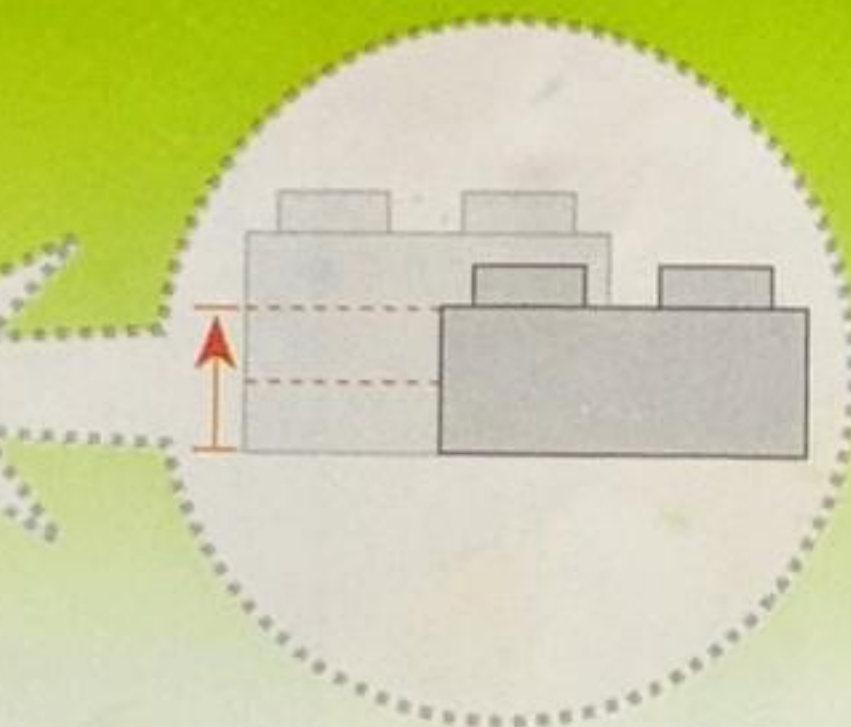
17



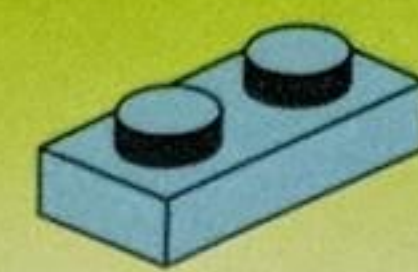
1x



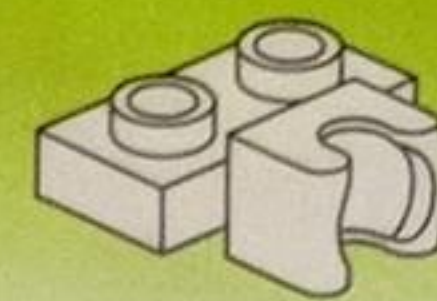
1x



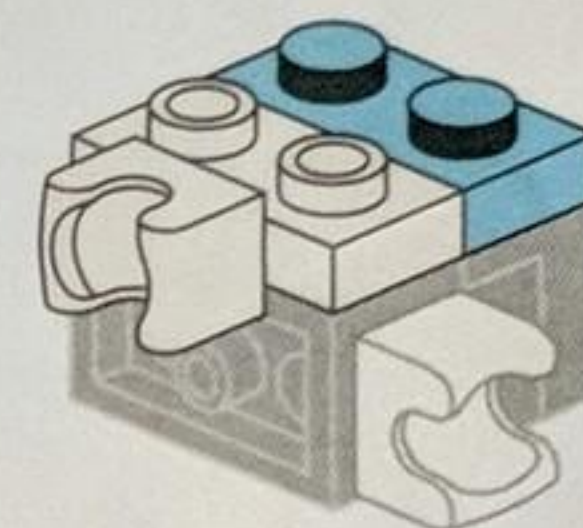
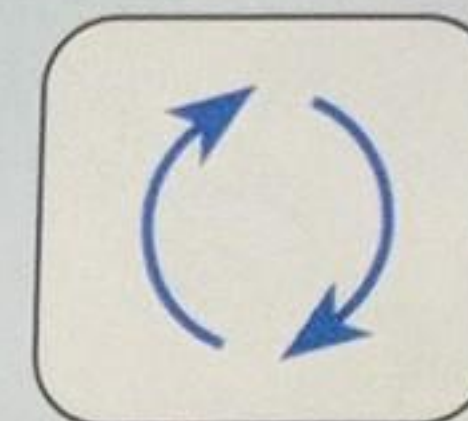
18



1x



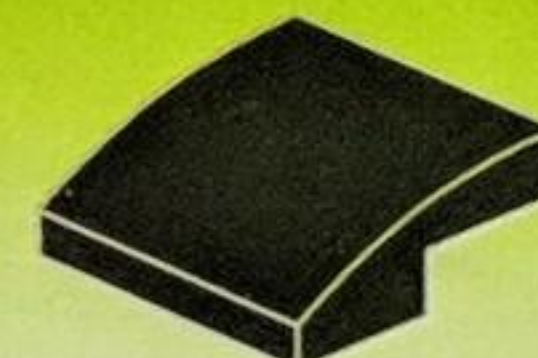
1x



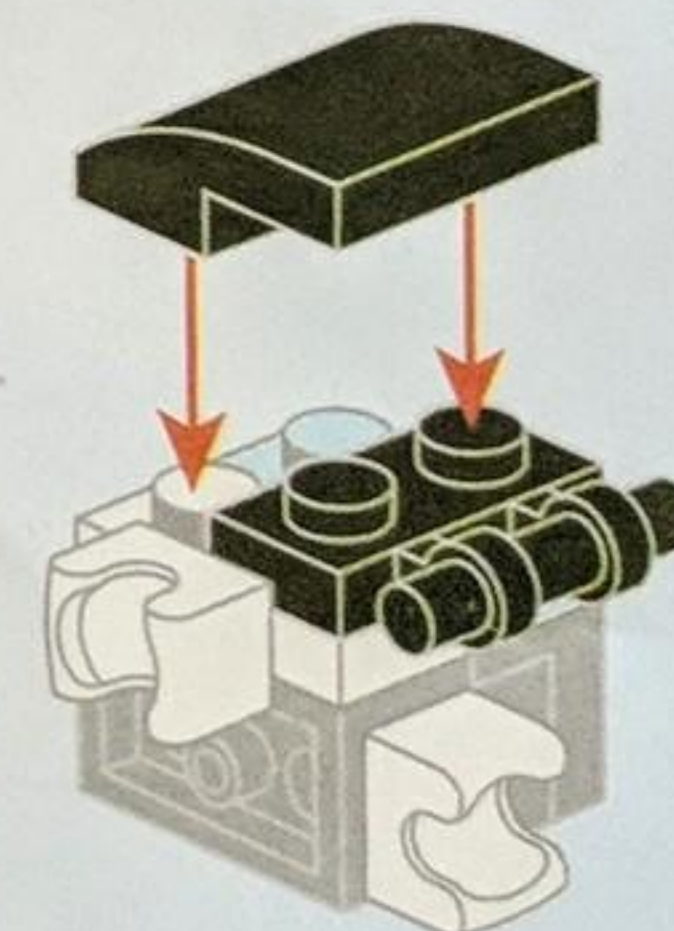
19



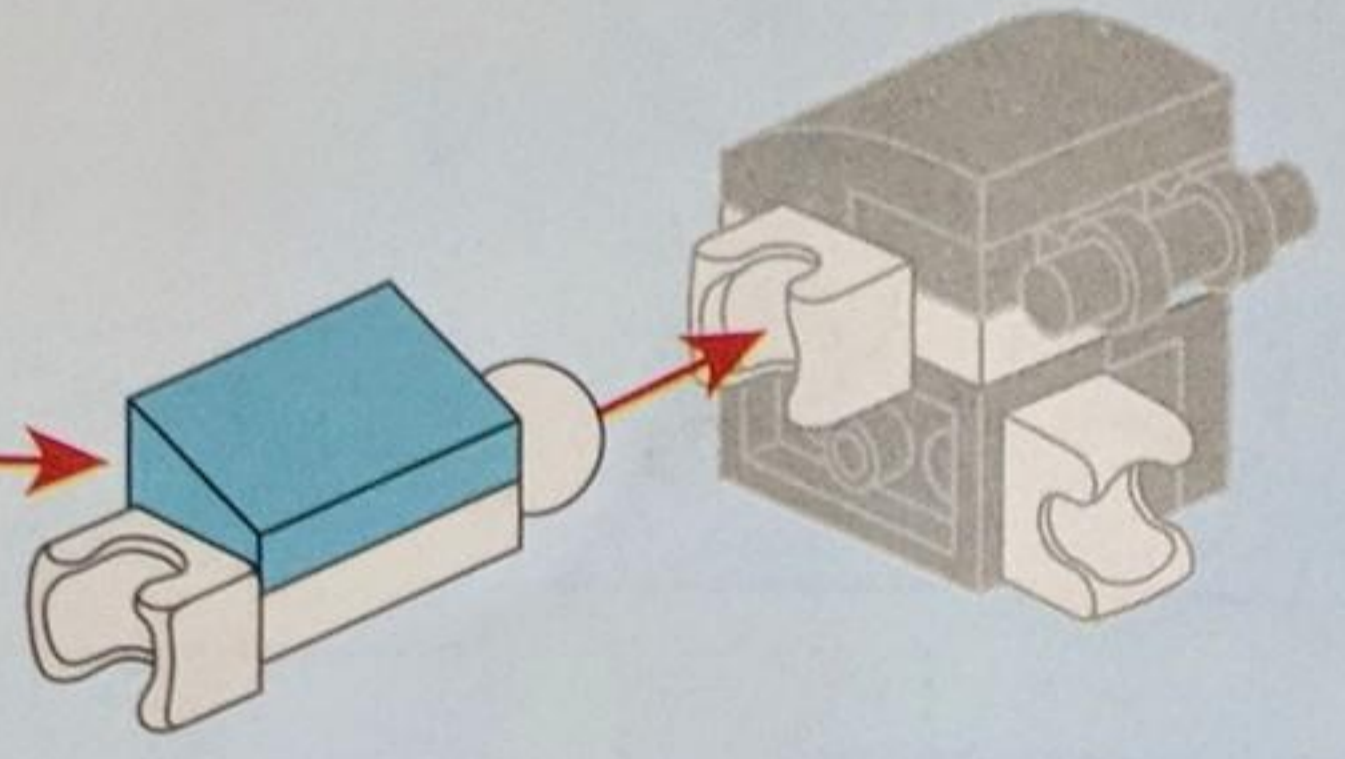
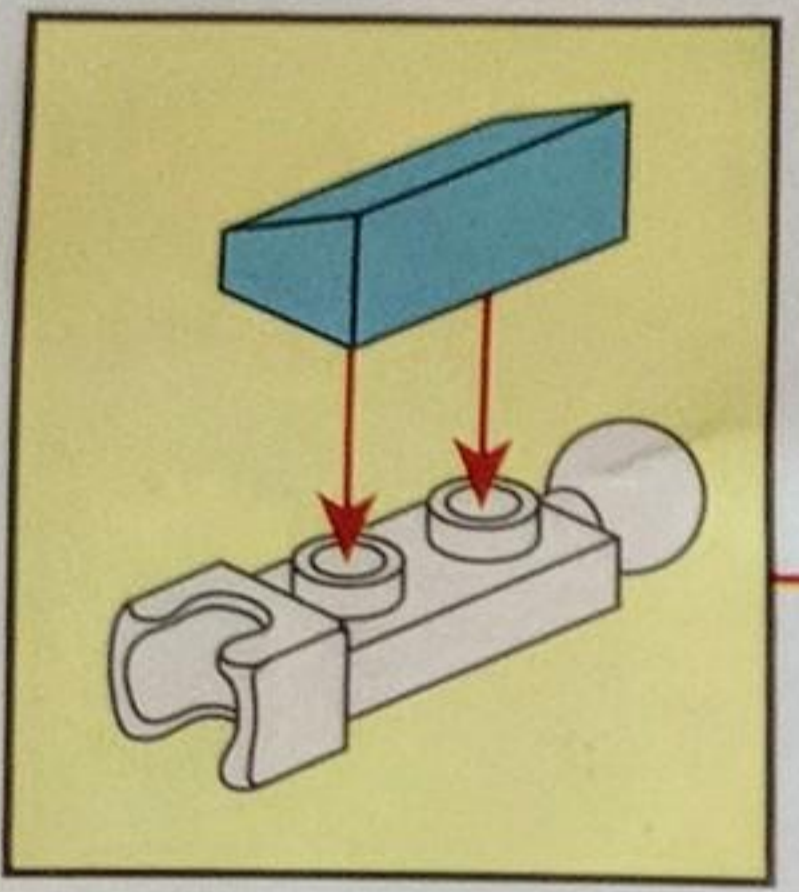
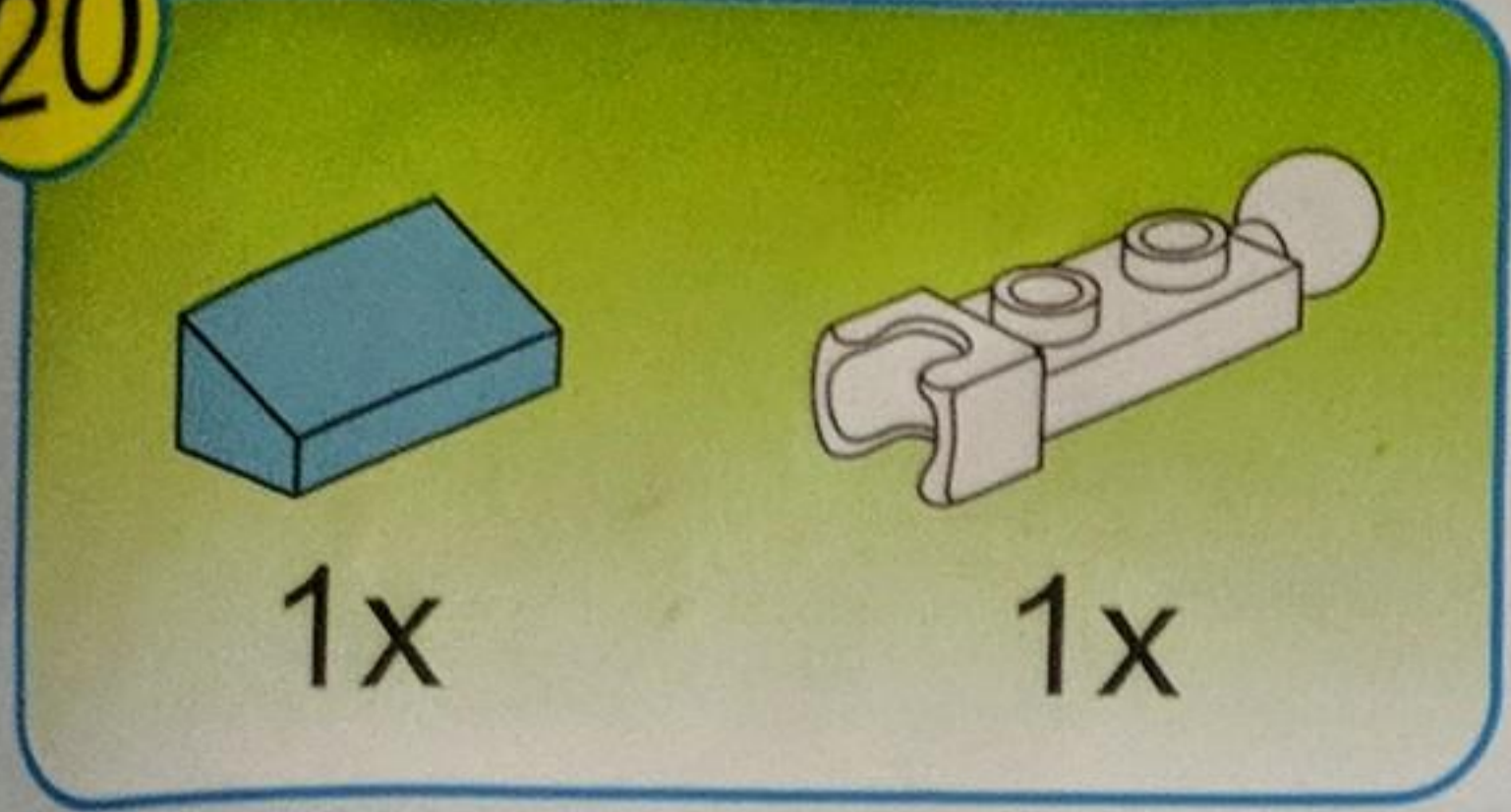
1x



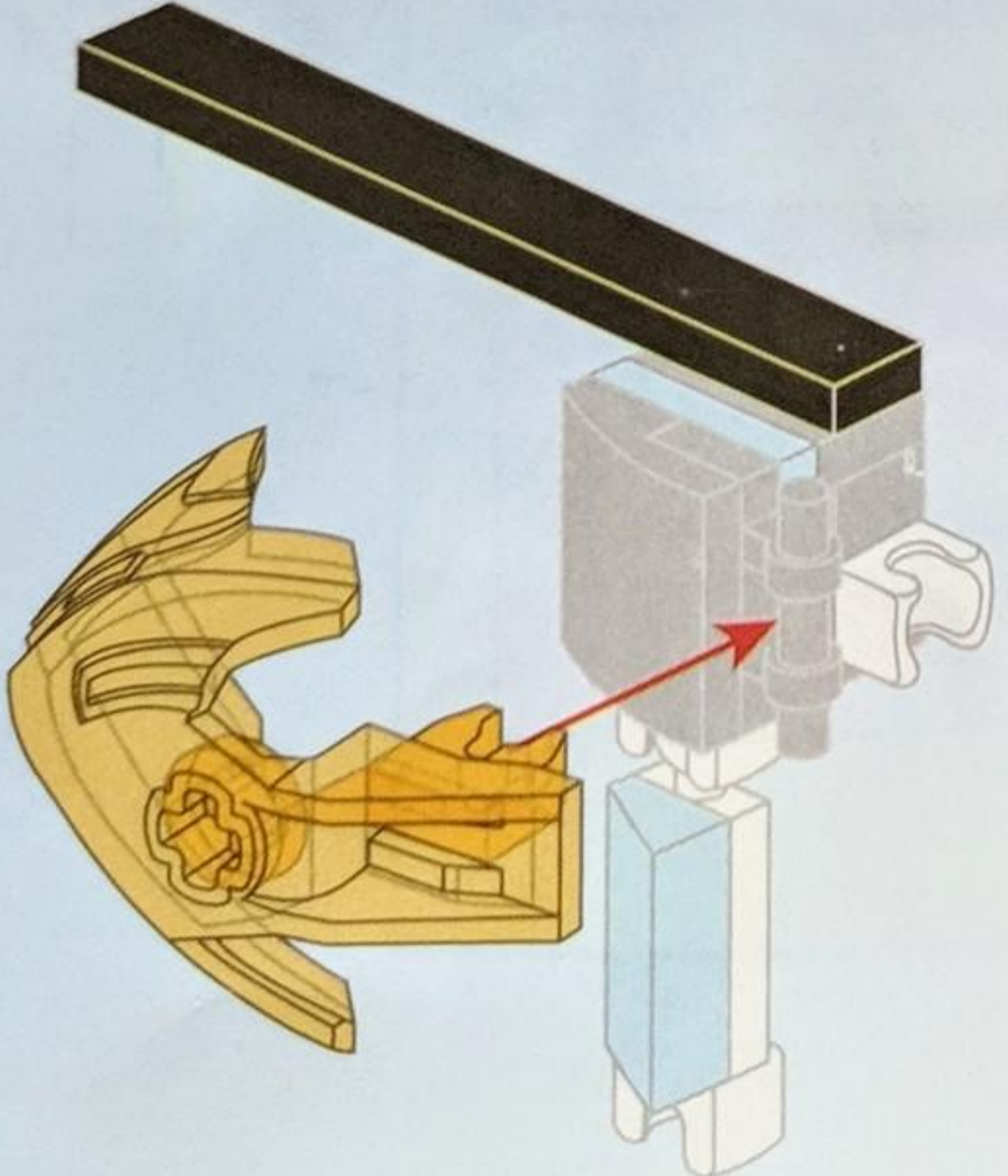
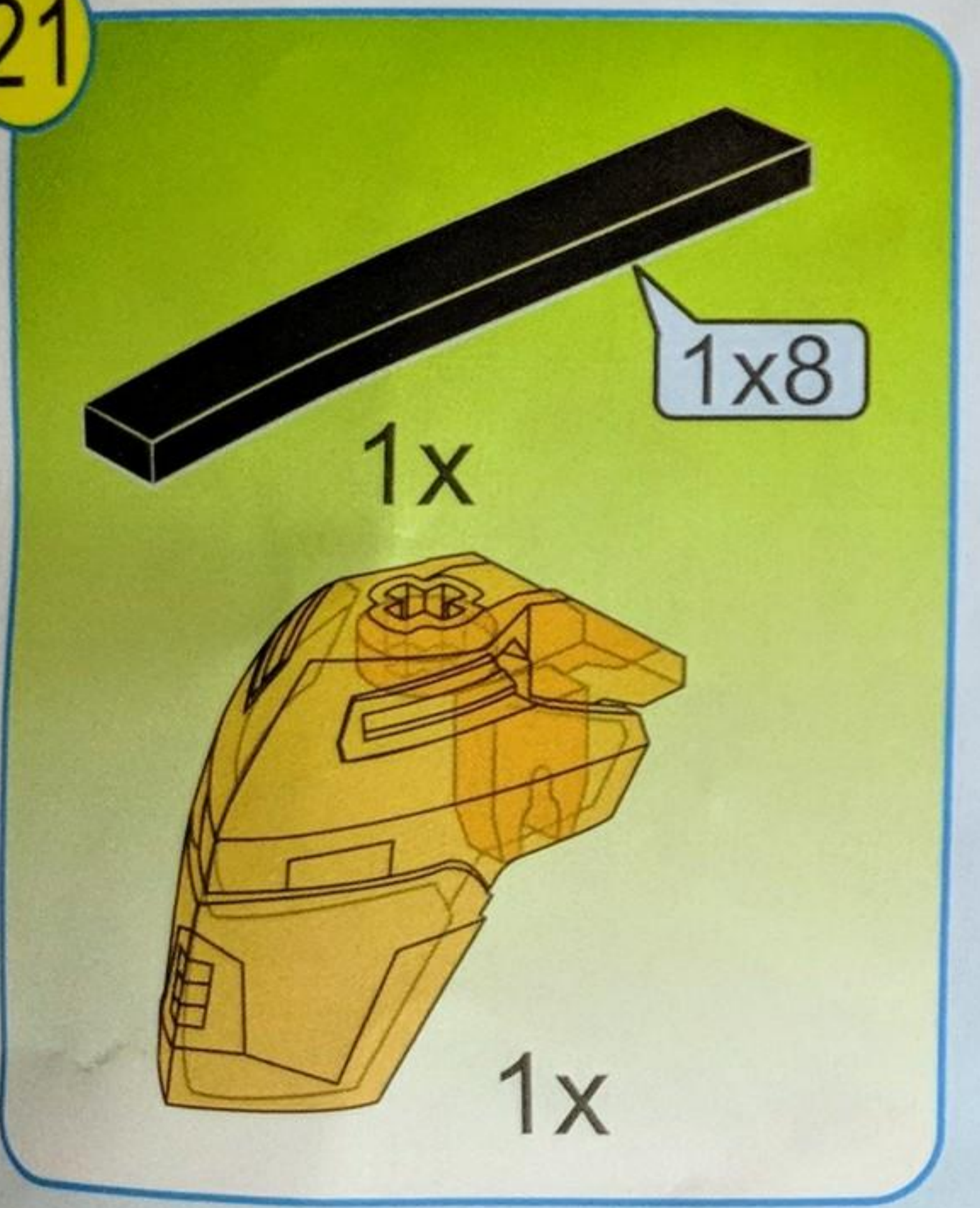
1x



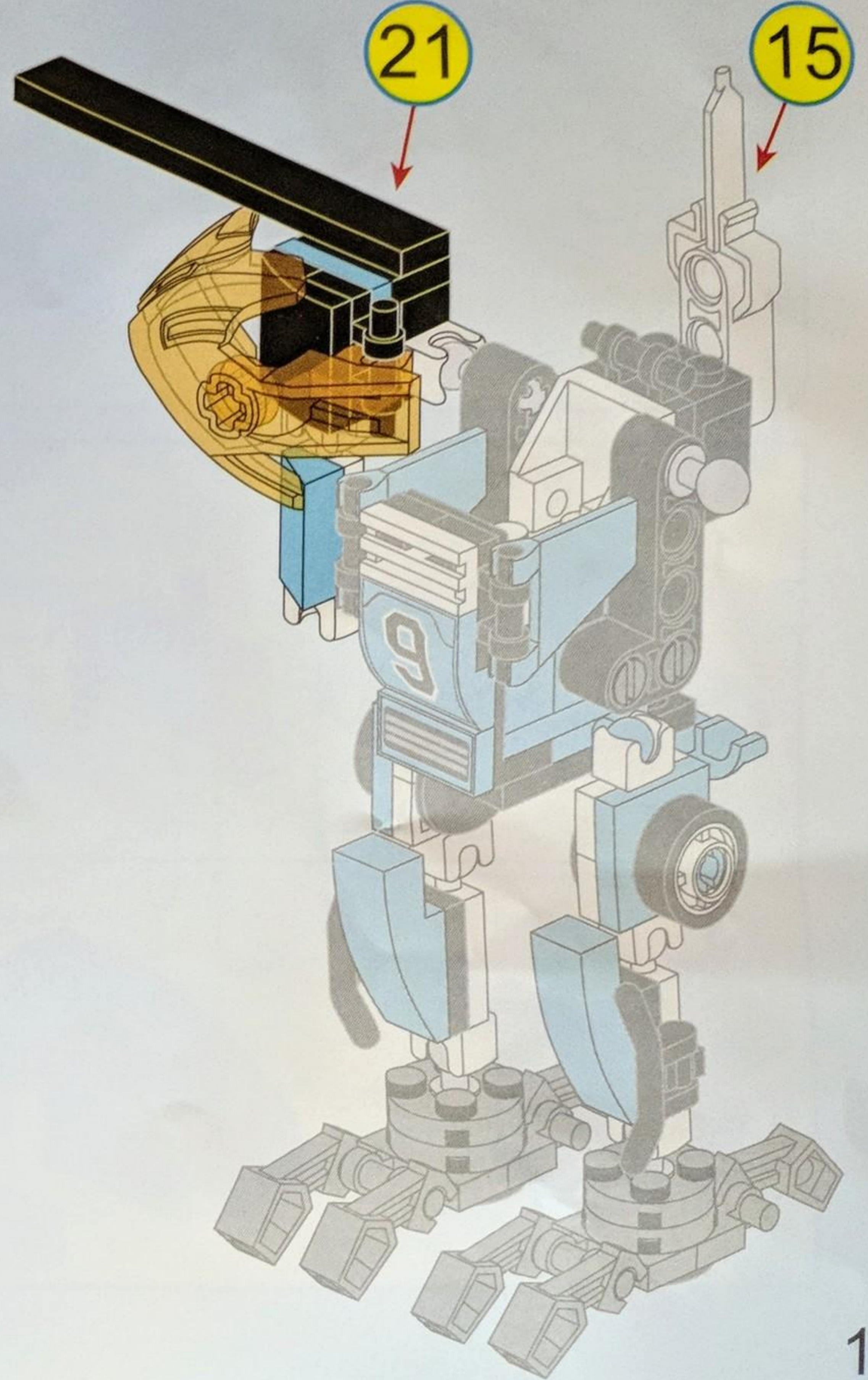
20



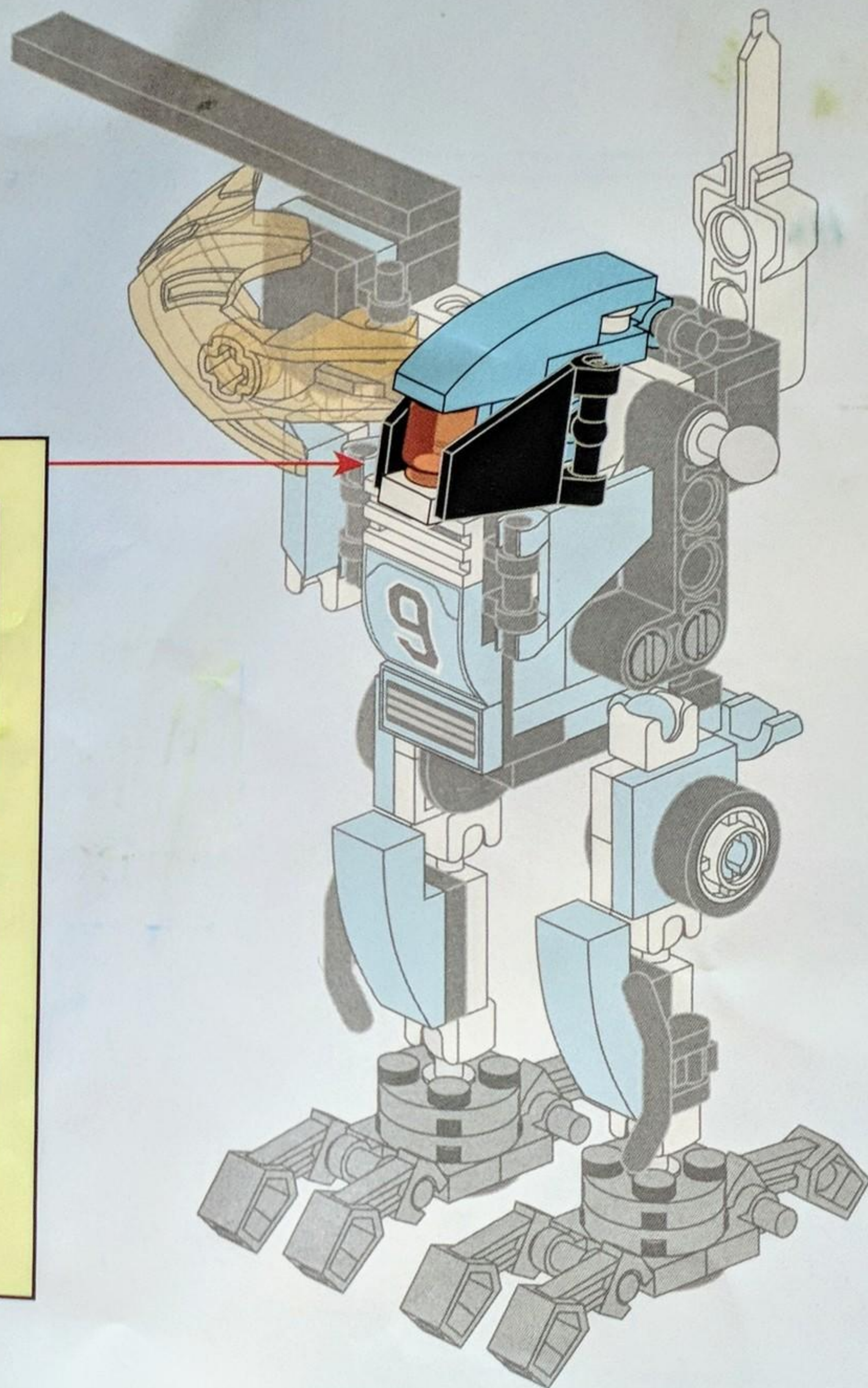
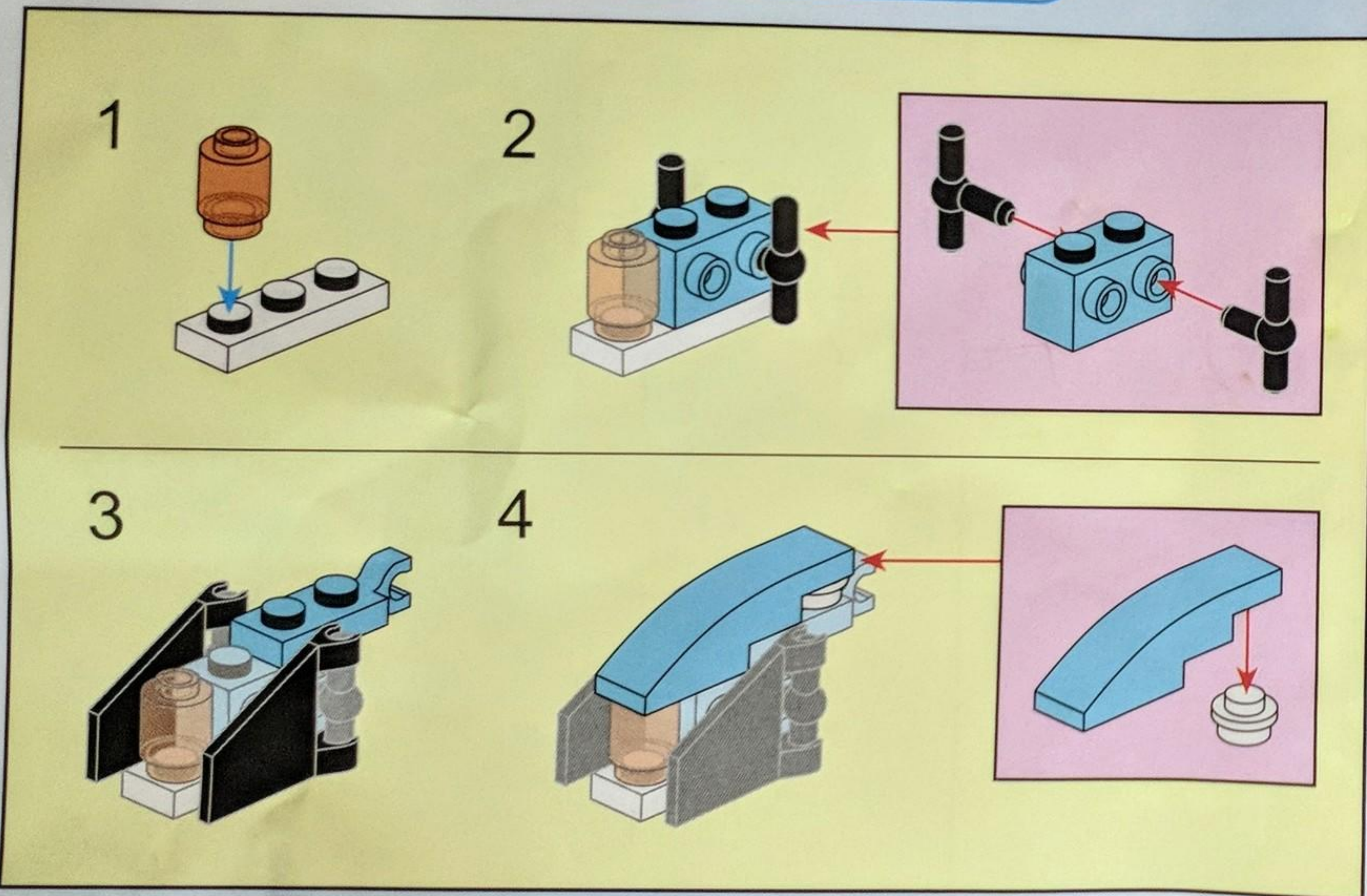
21

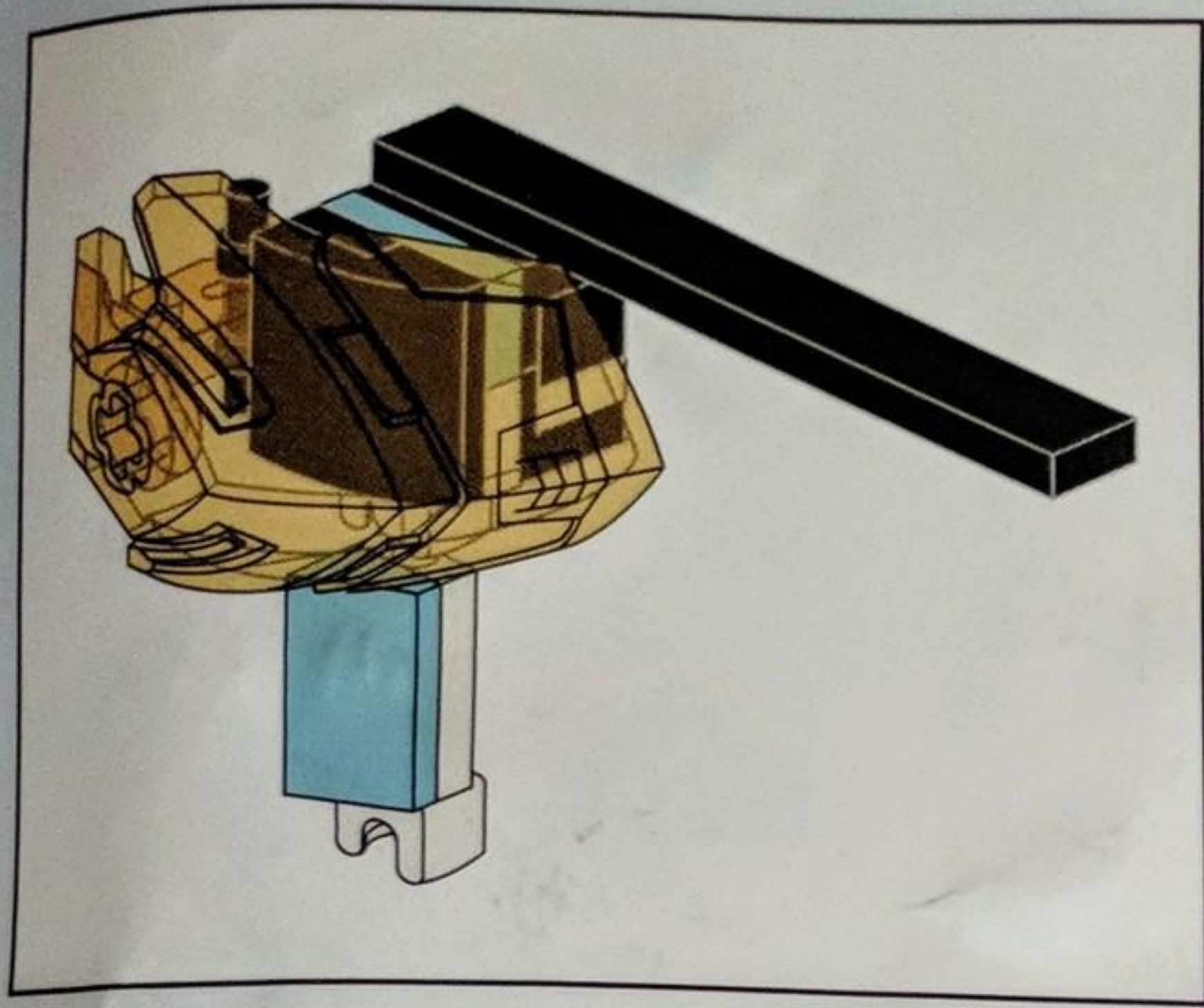


22



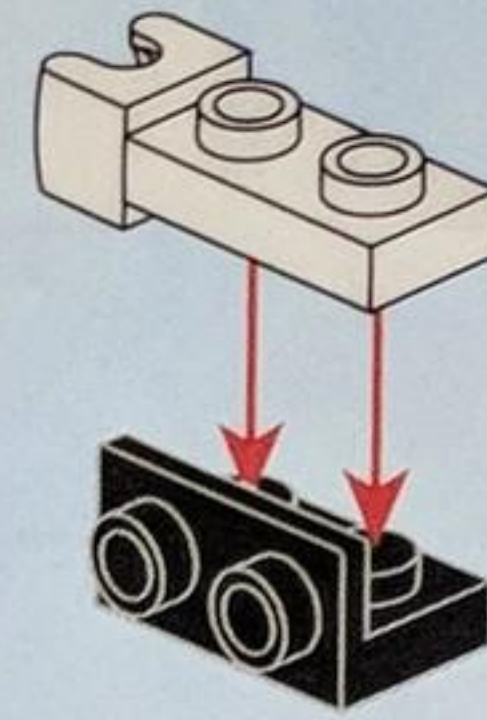
- 1x [White 1-hole Technic Pin]
- 2x [Black 1-hole Technic Pin]
- 1x [Orange 1-hole Technic Pin]
- 1x [Blue 1-hole Technic Pin]
- 1x [Blue 2-hole Technic Pin]
- 1x [White 3-hole Technic Beam]
- 2x [Black 2-hole Technic Beam]
- 1x [Blue 2-hole Technic Beam]





24

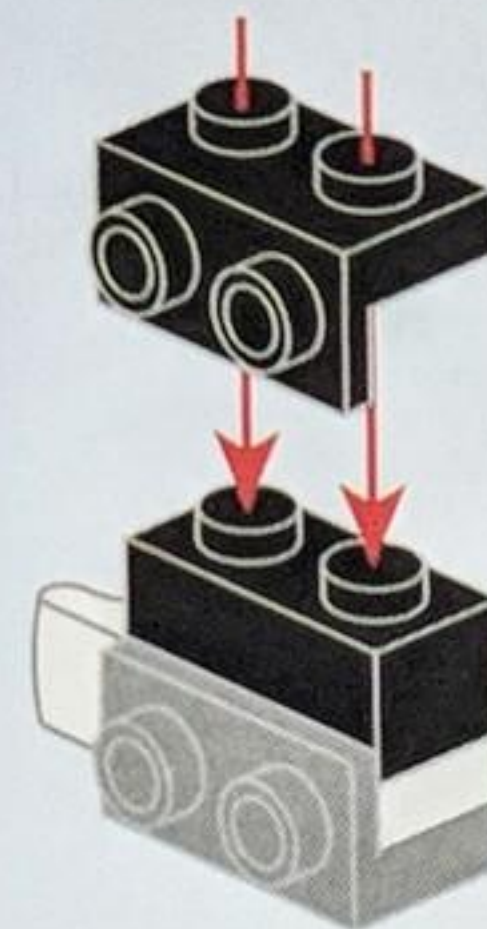
1x 1x



25

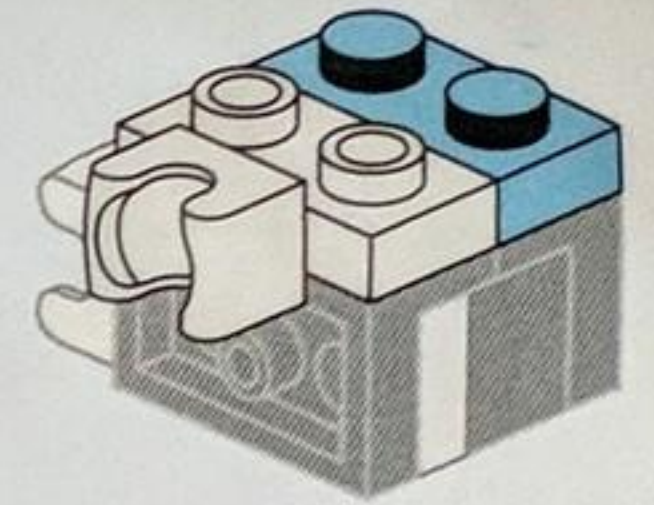
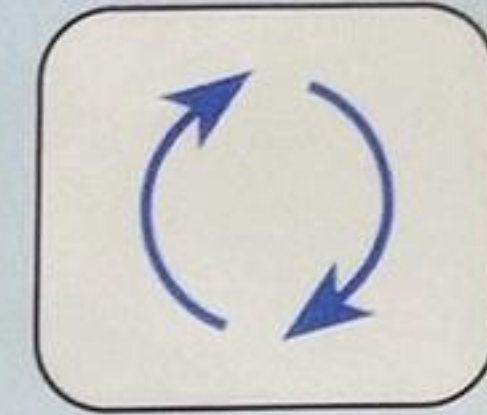
1x 1x

Inset diagram showing a grey Technic beam with a red arrow pointing to a specific height or position.



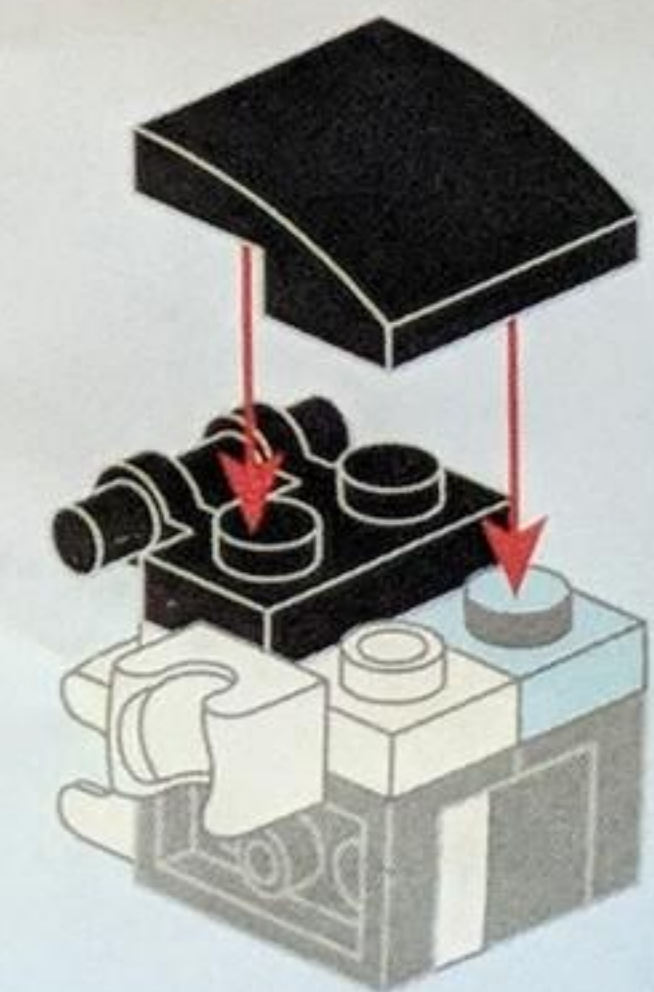
26

1x 1x

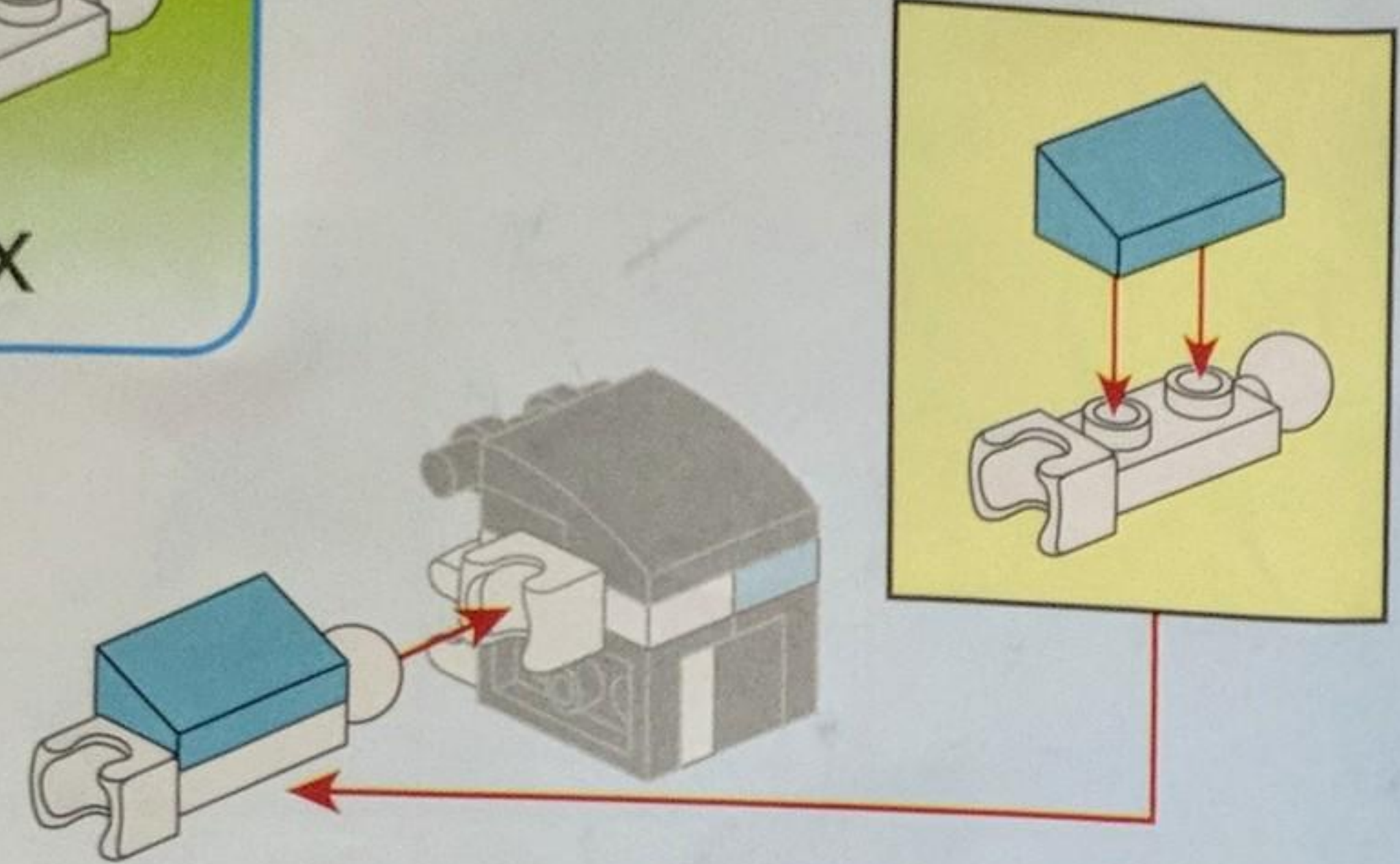
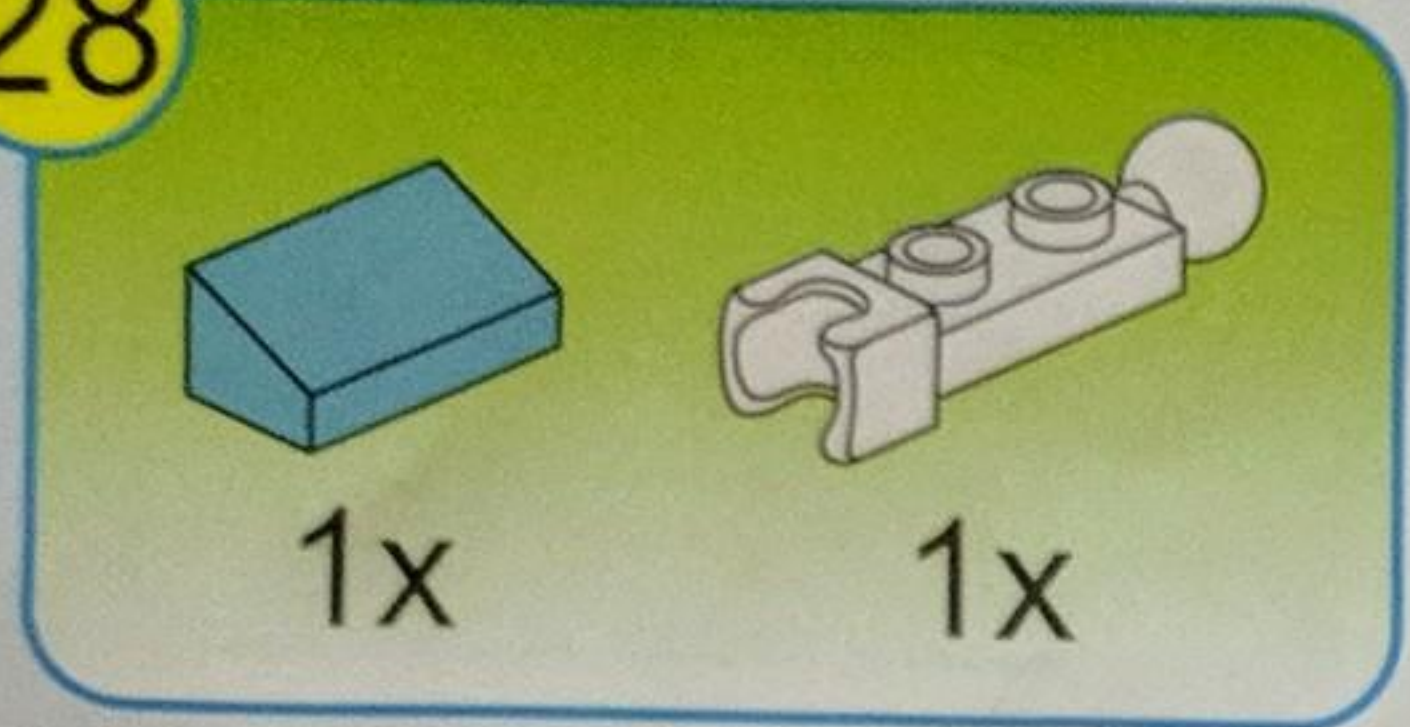


27

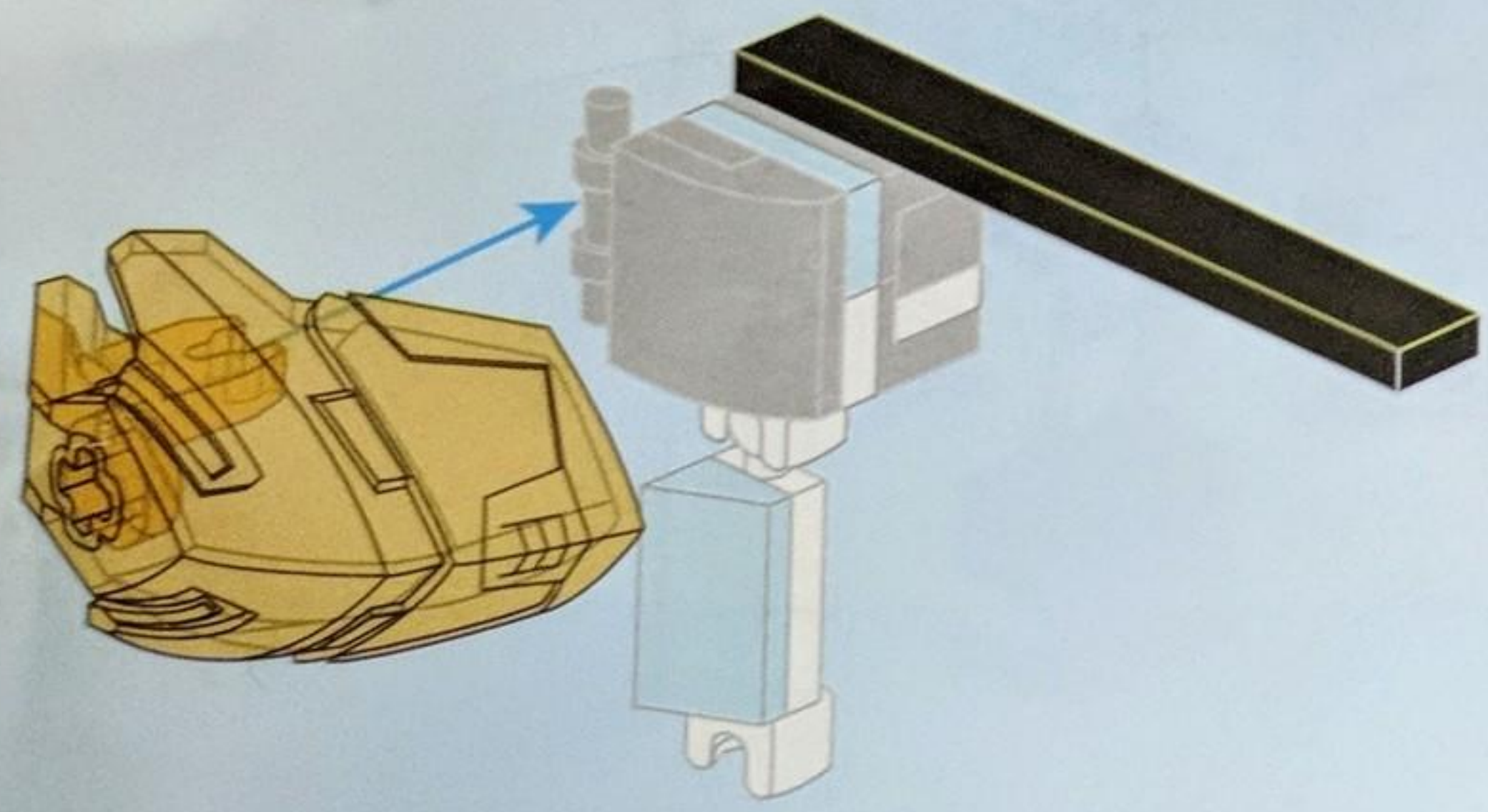
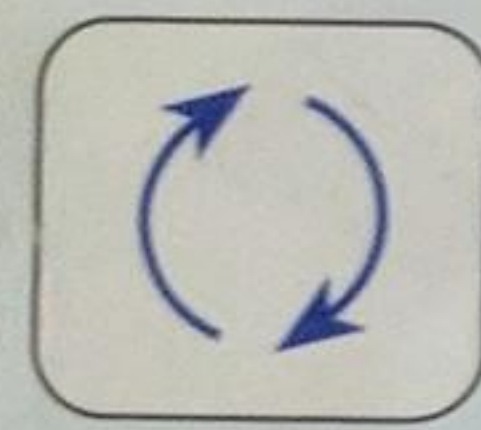
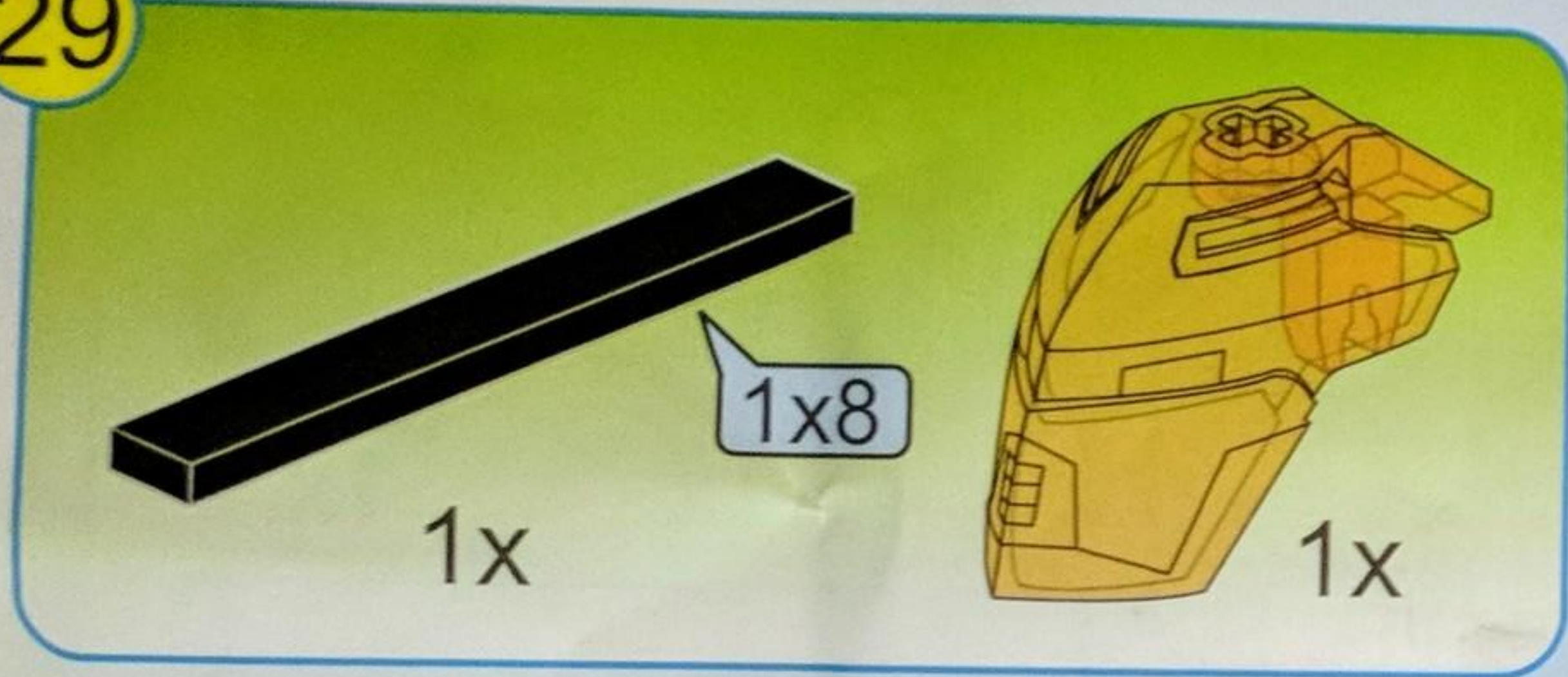
1x 1x



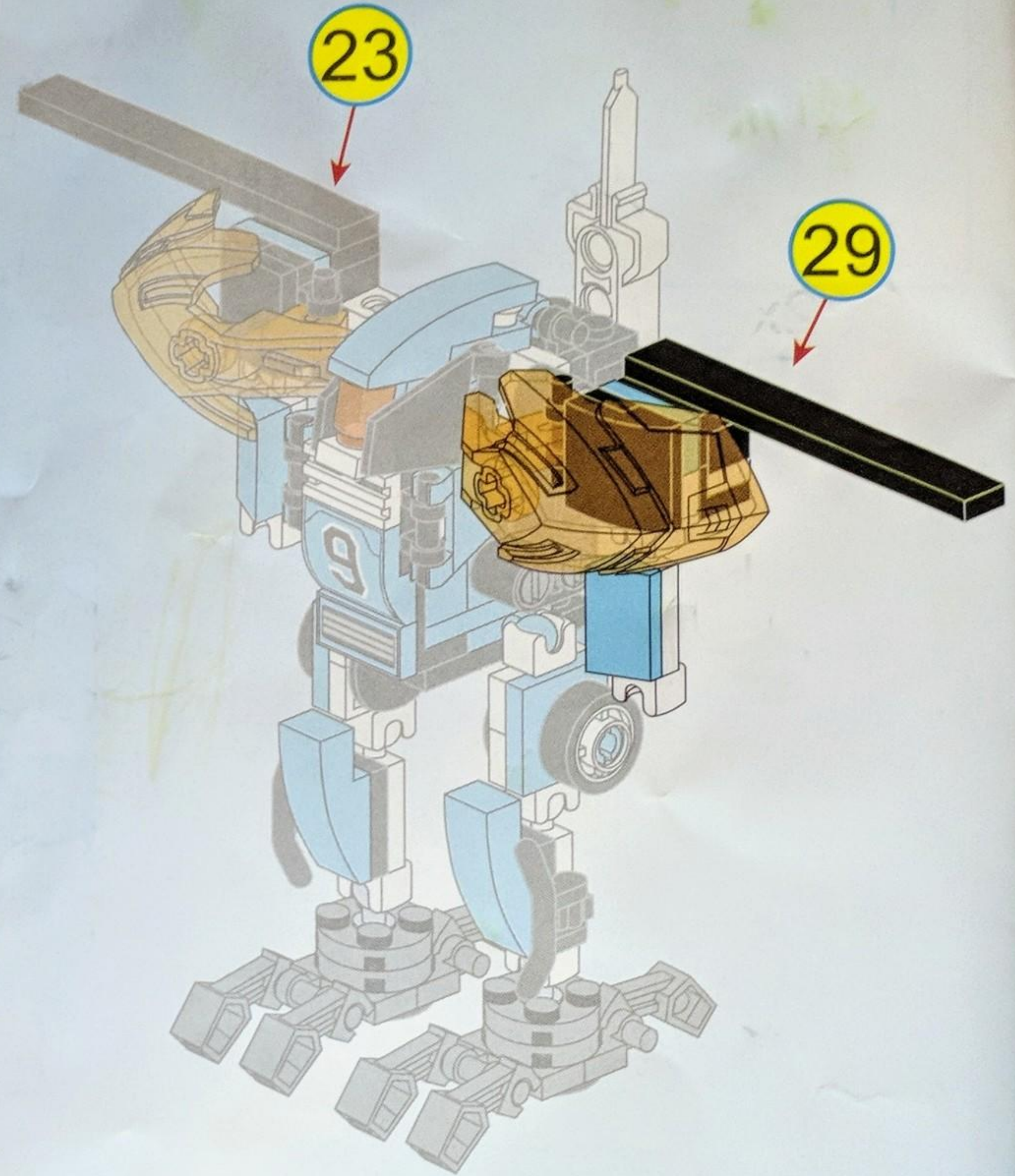
28



29



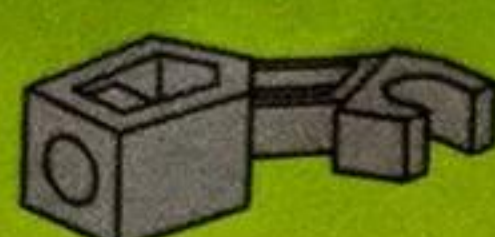
30



31



2x



6x



4x



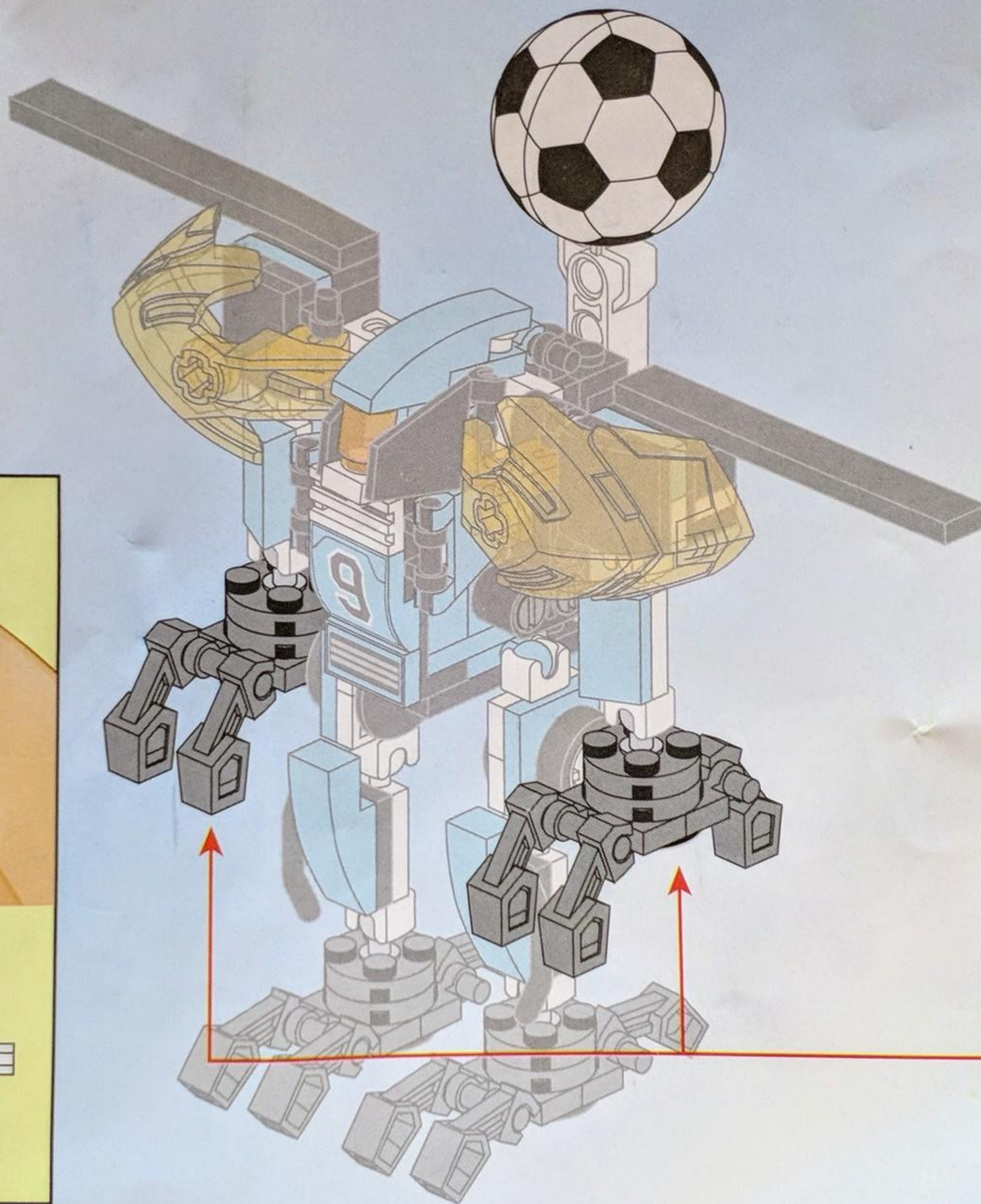
2x



4x



1x



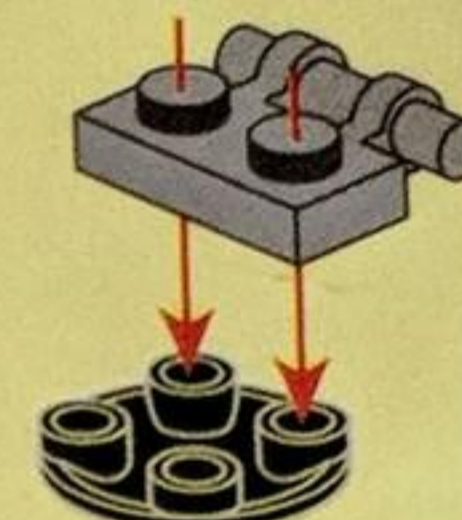
1



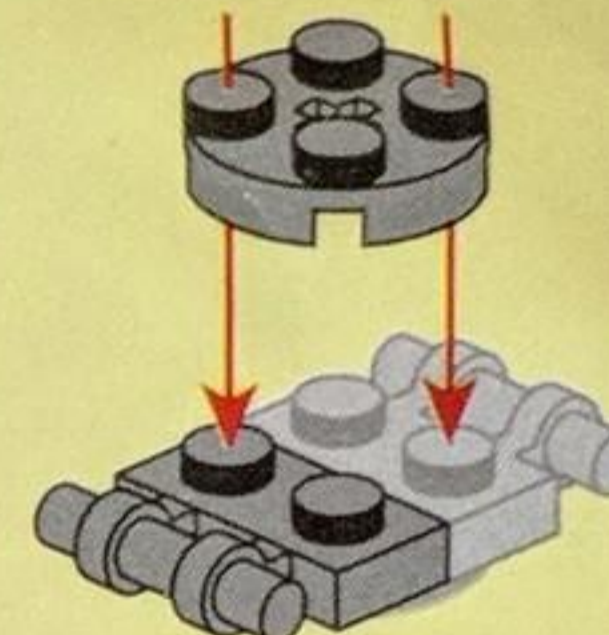
2



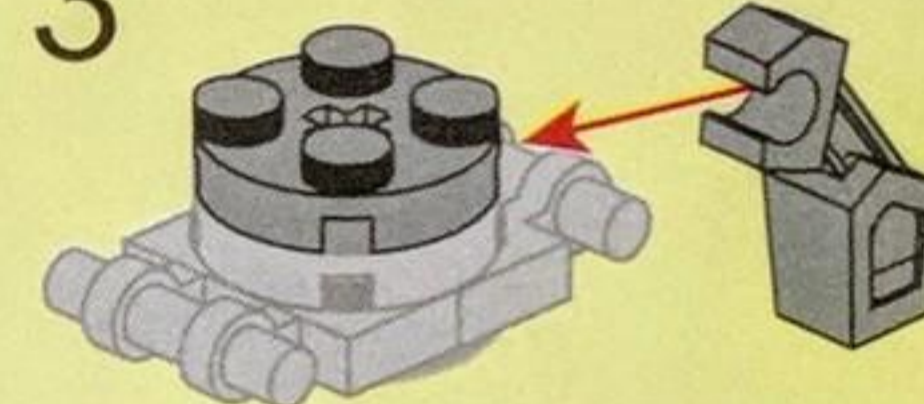
1



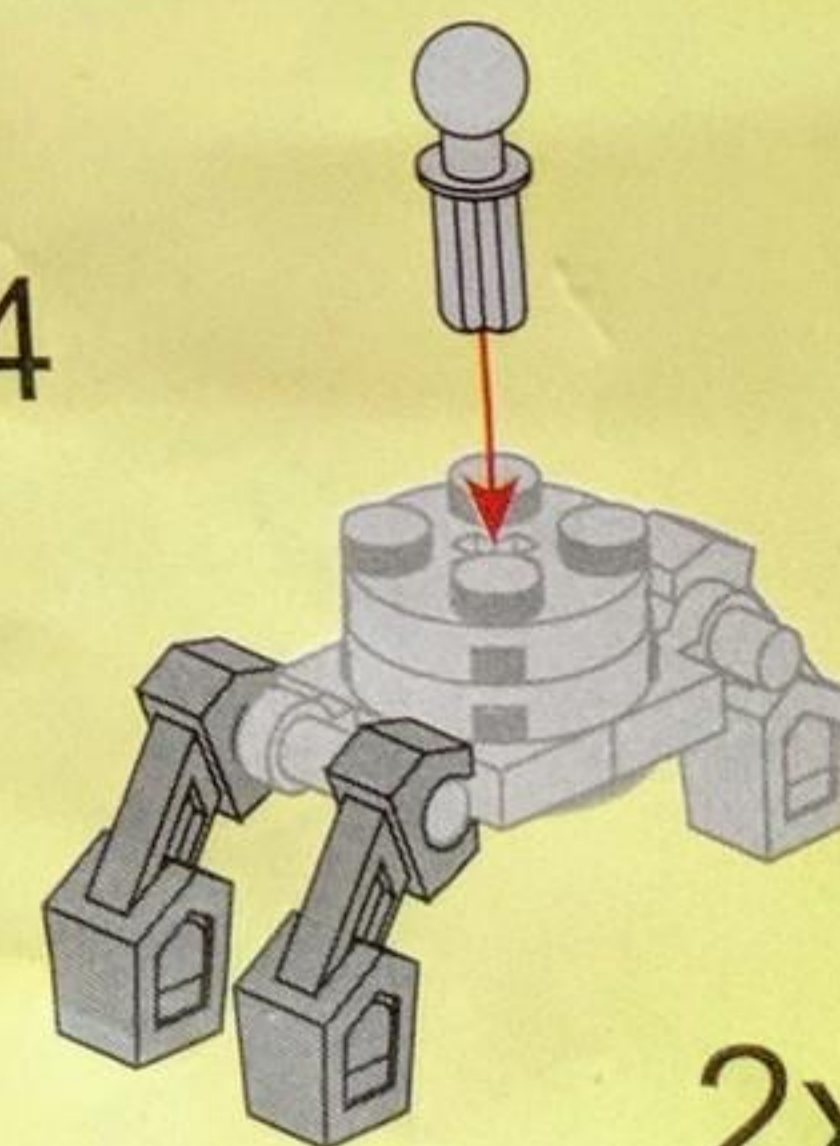
2



3



4



2x

SUPER SOCCER

